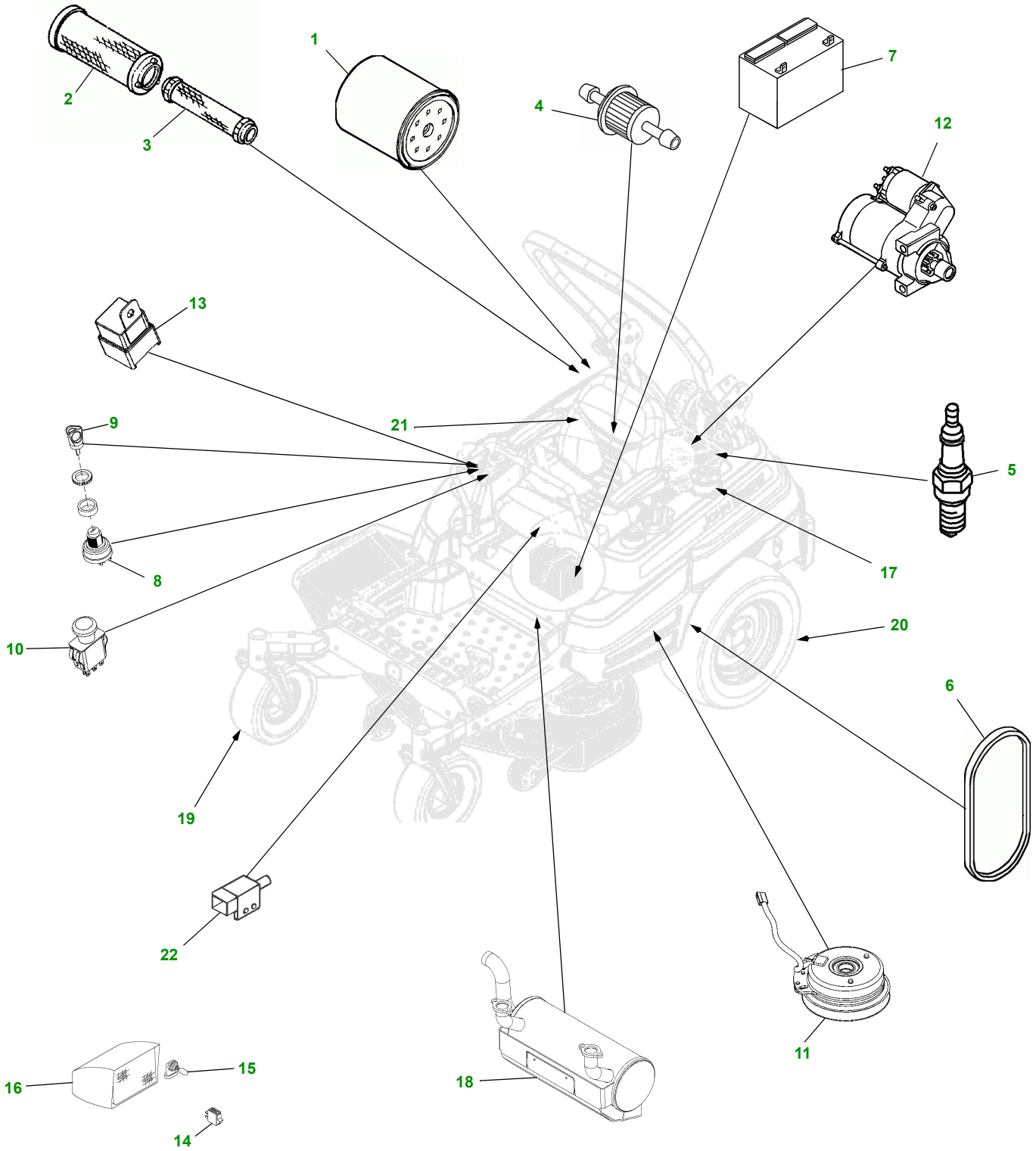


Z910A/Z920A/Z925A/Z930A/Z950A/Z960A/Z970A



key	part no.	description	key	part no.	description
1	AM107423	ENGINE OIL FILTER - Z925A — Z970A	11	TCA16999	PTO CLUTCH
	AM125424	ENGINE OIL FILTER - Z910A, Z920A	12	MIA11257	STARTER
2	MIU11747	AIR FILTER - PRIMARY - Z925A — Z970A	13	AM123716	RELAY
	MIU12457	AIR FILTER - PRIMARY - Z910A, Z920A	14	AM117324	SWITCH - HEADLIGHT (OPTIONAL)
3	MIU11748	AIR FILTER - SECONDARY - Z925A — Z970A	15	R136239	HEADLIGHT BULB - (OPTIONAL)
	MIU12458	AIR FILTER - SECONDARY - Z910A, Z920A	16	AM125447	HEADLIGHT - (OPTIONAL)
4	AM116304	FUEL FILTER	17	TCA16216	FILLER CAP
5	M805853	SPARK PLUG - Z910A — Z950A	18	TCA19567	MUFFLER - Z910A, Z920A
	M802138	SPARK PLUG - Z960A, Z970A		TCA17119	MUFFLER - Z925A, Z930A, 950A
6	TCU25673	V-BELT - TRACTION DRIVE - Z925A — Z970A		TCA16954	MUFFLER - Z960A, Z970A
	TCU26349	V-BELT - TRACTION DRIVE - Z910A, Z920A	19	TCA19309	CASTER WHEEL
7	TY25221	BATTERY	20	TCA17272	TIRE REAR (24X12-12) - 54" & 60" DECKS
8	TCA15075	IGNITION SWITCH		TCA16942	TIRE REAR (24X12-12) - 72" DECK
9	AM125504	IGNITION KEY	21	TCA17206	SEAT ASSEMBLY
10	TCA17834	PTO SWITCH	22	TCA15398	BRAKE SWITCH

Parts Needed in First 250 hours of Operation

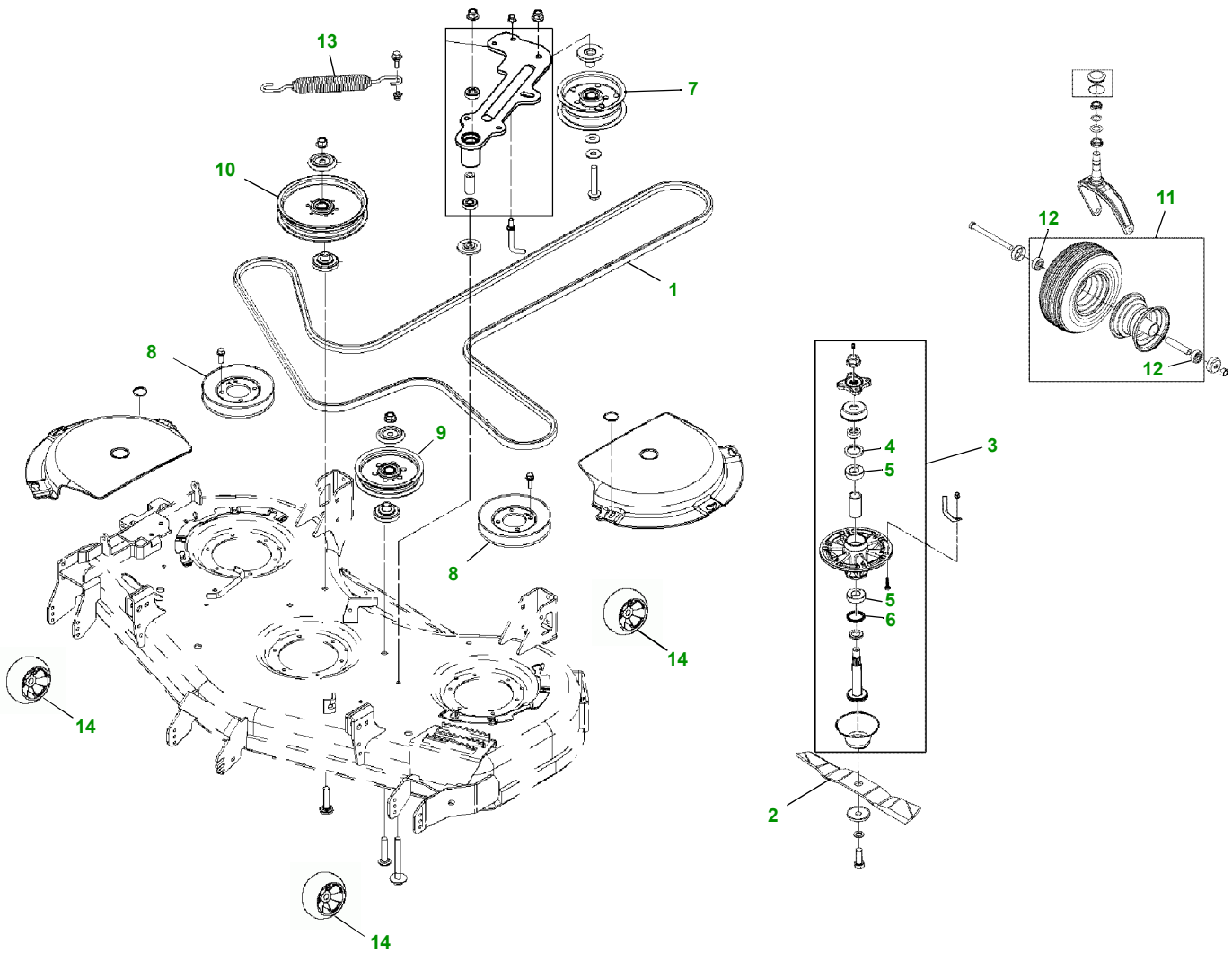
Qty	Part No	Item	Capacity	Interval In Hours
3	AM107423 AM125424	Engine Oil Filter - Z925A — Z970A Engine Oil Filter - Z910A, Z920A		5/100/200
6	TY22029	1 qt Turf Gard 10W30 Engine Oil	2.0 qt	5/100/200
3	TY6341	Multi Purpose SD Polyurea Grease (14 oz)		As Needed

"As Needed" Parts

Qty	Part Number	Item
1	MIU11747 MIU12457	Air Filter - Primary - Z925A — Z970A Air Filter - Primary - Z910A, Z920A
1	MIU11748 MIU12458	Air Filter - Secondary - Z925A — Z970A Air Filter - Secondary - Z910A, Z920A
1	AM116304	Fuel Filter
2	M805853 M802138	Spark Plug - Z910A — Z950A Spark Plug - Z960A, Z970A
1	TCU25673 TCU26349	Belt - Traction Drive - Z925A — Z970A Belt - Traction Drive - Z910A, Z920A
1	TCA16216	Filler Cap
1	AM125504	Ignition Key
1	AM130907	Mower Deck Leveling Gauge
1	TY26183	Grease Gun

48in. / 54 in. / 60 in. / 72 in. decks

(Z900 Series)



key	part no.	description	key	part no.	description
1	TCU26294	BELT- 48 INCH	6	M127198	SEAL
	TCU26295	BELT- 54 INCH	7	TCA19530	PULLEY
	TCU26297	BELT- 60 INCH	8	TCU26965	SHEAVE ASSEMBLY - 48 INCH
	TCU26298	BELT- 72 INCH		TCU26966	SHEAVE ASSEMBLY - 54 INCH
2	TCU14939	BLADE - 48 INCH		TCU26967	SHEAVE ASSEMBLY - 60 INCH
	TCU21475	BLADE - 48 INCH - MOD		TCU26968	SHEAVE ASSEMBLY - 72 INCH
	M144652	BLADE - 54 INCH	9	TCA17524	IDLER
	TCU15881	BLADE - 60 INCH - HI LIFT	10	TCA17135	IDLER
	M133381	BLADE - 60 INCH - LO LIFT	11	TCA19309	CASTER WHEEL TIRE AND WHEEL ASSY
	M131958	BLADE - 60 INCH - MULCH	12	AA21480	BALL BEARING
	TCU15882	BLADE - 72 INCH - HI LIFT	13	TCU22526	EXTENSION SPRING - 48 INCH
	M142514	BLADE - 72 INCH - MULCH		TCU27010	EXTENSION SPRING - 54 INCH
3	TCA17517	SPINDLE KIT		TCU24629	EXTENSION SPRING - 60 INCH
4	M85699	SEAL		TCU27011	EXTENSION SPRING - 72 INCH
5	M88251	BEARING	14	TCU18744	GAGE WHEEL

