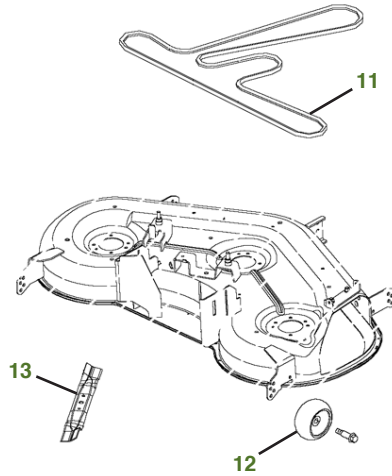
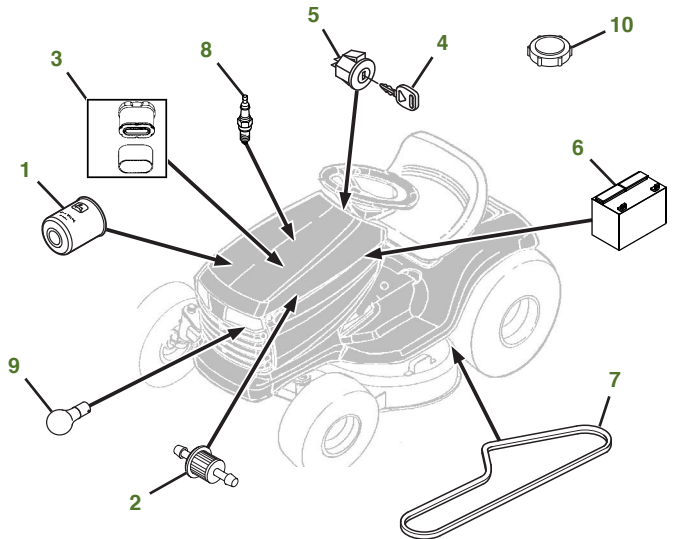


# MAINTENANCE REMINDER SHEET

## D150 with 48" Deck



Tractor S/N

Deck S/N

Key	Part No.	Description	Key	Part No.	Description
1	<a href="#">AM125424</a>	ENGINE OIL FILTER	9	<a href="#">AD2062R</a>	HEADLIGHT BULB
2	<a href="#">AM116304</a>	FUEL FILTER-IN-LINE	10	<a href="#">GX22166</a>	FUEL CAP (S/N -500000)
3	<a href="#">MIU11515</a>	AIR FILTER-CARTRIDGE		<a href="#">GX23465</a>	FUEL CAP (S/N 500001-)
	<a href="#">MIU11517</a>	AIR FILTER-PRE CLEANER	11	<a href="#">CX21833</a>	BELT-MOWER
4	<a href="#">GY20680</a>	KEY	12	<a href="#">GX10168</a>	GAGE WHEEL
5	<a href="#">GY20074</a>	IGNITION SWITCH	13	<a href="#">GX21784</a>	3N1 BLADE 48"
6	<a href="#">TY25878</a>	BATTERY		<a href="#">GY20852</a>	KIT-BLADE 48"
7	<a href="#">CX20006</a>	BELT-TRACTION DRIVE		<a href="#">CX21785</a>	KIT-BAGGING 48"
8	<a href="#">M78543</a>	SPARK PLUG-ENG 40H777-0274-G1		<a href="#">CX21786</a>	KIT-MULCHING 48"
	<a href="#">MIU11020</a>	SPARK PLUG-ENG 40H777-0285-B1			

### Parts Needed in First 250 Hours of Operation

Qty	Part No	Item	Qty or Capacity	Change Interval In Hours
2	<a href="#">TY22076</a>	2.5 gal Engine Oil Turf-Gard™ 10W30	2 qt	8/50/100/150/200/250
5	<a href="#">AM125424</a>	Engine Oil Filter	1	50/100/150/200/250
5	<a href="#">MIU11515</a>	Air Filter-Cartridge	1	50/100/150/200/250
5	<a href="#">AM116304</a>	Fuel Filter-In-Line	1	50/100/150/200/250
10	<a href="#">M78543</a> or <a href="#">MIU11020</a>	Spark Plug	2	50/100/150/200/250
2	<a href="#">TY6341</a>	JD Multi Purpose SD Polyurea Grease		As Needed

### "As Needed" Parts

Qty	Part No	Item
1	<a href="#">AM130907</a>	Mower Deck Leveling Gauge
1	<a href="#">TY26518</a>	Grease Gun

### Home Maintenance Kit

Unit	Kit Number
D150	<a href="#">LG264</a> (49 State) <a href="#">LG268</a> (50 State)

CLICK PART NUMBER TO BUY