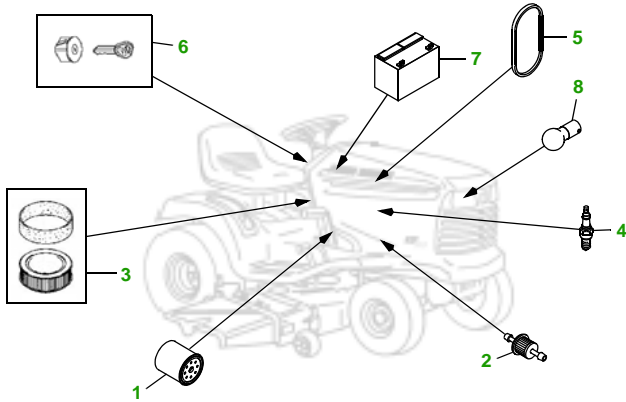


# MAINTENANCE REMINDER SHEET

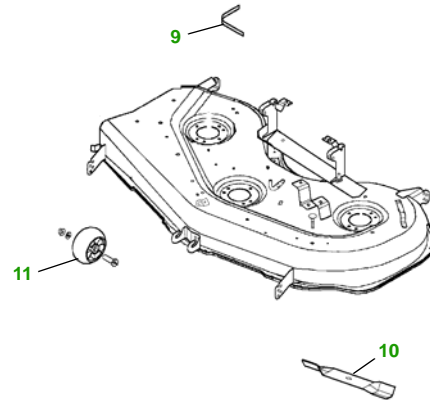
## LT166 with 48" Deck

### Lawn Tractor



Tractor S/N

### 48" Deck



Deck S/N

Key	Part No.	Description
1	AM125424	OIL FILTER
	GY20577	OIL FILTER (PACKAGE)
2	AM116304	FUEL FILTER - IN-LINE
	GY20709	FUEL FILTER (PACKAGE)
3	LG272490S	AIR FILTER FOAM
	LG394018JD	AIR FILTER - PAPER
4	M78543	SPARK PLUG
5	M126009	BELT - TRACTION DRIVE

Key	Part No.	Description
6	GY20680	KEY - PADDED
	AM132808	IGNITION SWITCH (S/N —095000)
	AM132807	IGNITION SWITCH (S/N 095001—)
7	TY25878	BATTERY
8	AD2062R	HALOGEN HEADLIGHT BULB
9	GX10063	BELT
10	M145476	BLADE
11	AM116299	GAGE WHEEL

### Service Recommendations

### "As Needed" Parts

Qty	Part No	Item	Qty or Capacity	Change Interval in Hours
6	AM125424	Engine Oil Filter	1	5/50/100/150/200/250
2	TY22076	2 1/2 GAL. Engine Oil Turf Gard @ 10W30	1.6 qt	5/50/100/150/200/250
2	AM116304	Fuel Filter	1	100/200
2	LG272490S	Air Filter- Foam	1	100/200
2	LG394018JD	Air Filter- Paper	1	100/200
2	TY6341	JD Multi Purpose SD Polyurea Grease		As Needed

Qty	Part No	Item
1	AM137724	Fuel Cap
1	AM130907	Mower Deck Leveling Gauge
1	TY26183	Grease Gun

#### FOR ON-LINE PARTS ASSISTANCE:

[www.JDParts.Deere.com](http://www.JDParts.Deere.com)



- VIEW [John Deere Parts Catalog](#) to look-up part numbers
- ORDER parts on-line from your [John Deere Dealer](#)
- SEARCH for parts for [YOUR specific model](#)
- SEARCH for parts by [Partial Part Number](#)

[www.Deere.com](http://www.Deere.com)

- PRINT [Valuable Parts Coupons](#) for discounts at your John Deere Dealer
- REVIEW John Deere [Parts Quality Stories](#)
- SEE a complete list of all [Home Maintenance Kits](#)
- CONSIDER [Quick Reference Guides](#) for your commercial equipment

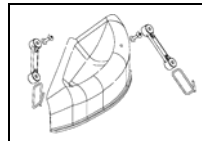
#### FOR ON-LINE SERVICE ASSISTANCE:

[www.Deere.com](http://www.Deere.com)

- VIEW [Technical \(Service\) Publications and Operator's Manuals](#)
- SELECT the desired [Maintenance Plan](#) that is right for you
- UNDERSTAND the [John Deere Warranty](#) on your equipment

#### OTHER SITES:

- SEARCH [Home & Workshop Products](#) off the Residential section at Deere.com.
- GO TO [www.johndeerecredit.com](http://www.johndeerecredit.com) to find your finance solution
- FIND the mower that is right for you through our [JD Mower Selection Tool](#)
- GO TO [www.johndeeregifts.com](http://www.johndeeregifts.com) to stop by John Deere's "General Store"



Mulch Kit ..... BM20007

Dealer Name  
Contact Name  
Dealer Phone No



#### Home Maintenance Kit

Unit	Kit Number
LT166	LG190

