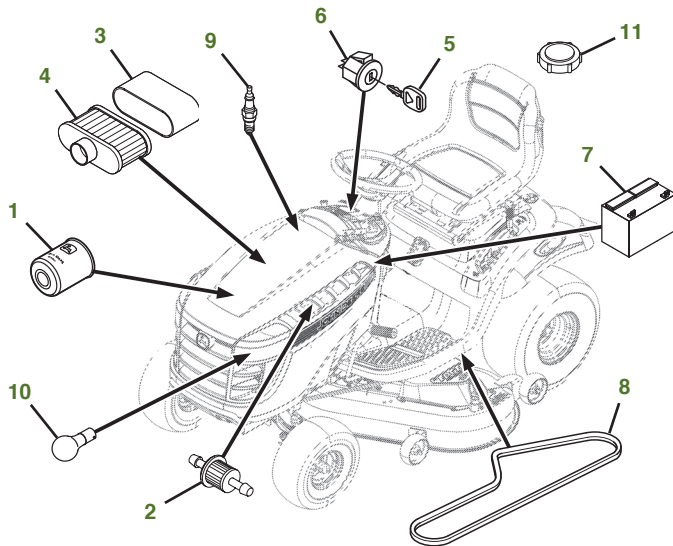
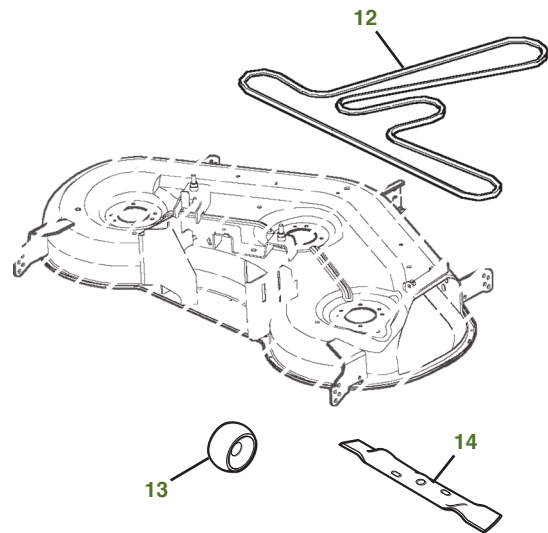


MAINTENANCE REMINDER SHEET

D155 with 48" Deck



Tractor S/N



Deck S/N

Key	Part No.	Description	Key	Part No.	Description
1	AM125424	ENGINE OIL FILTER	10	AD2062R	HEADLIGHT BULB
2	AM116304	FUEL FILTER-IN-LINE	11	GX23465	FUEL CAP
3	MIU11517	PRECLEANER	12	GX21833	BELT-MOWER
4	MIU11515	AIR FILTER	13	GX10168	GAGE WHEEL
5	GY20680	KEY	14	GX21784	3N1 BLADE 48"
6	GY20074	IGNITION SWITCH		GX21785	KIT-BAG BLADES 48"
7	TY25878	BATTERY		GX21786	KIT-MULCH BLADES 48"
8	CX20006	BELT-TRACTION DRIVE		GY20417	MULCH COVER
9	M78543	SPARK PLUG			

Parts Needed in First 250 Hours of Operation

Qty	Part No	Item	Qty or Capacity	Change Interval In Hours
12	TY22029	1 qt Engine Oil Turf-Gard™ 10W30	2 qt	8/50/100/150/200/250
6	AM125424	Engine Oil Filter	1	8/50/100/150/200/250
5	MIU11515	Air Filter	1	50/100/150/200/250
5	AM116304	Fuel Filter	1	50/100/150/200/250
10	M78543	Spark Plug	2	50/100/150/200/250
1	TY24416	JD Multi Purpose HD Lithium Complex Grease		As Needed

"As Needed" Parts

Qty	Part No	Item
1	AM130907	Mower Deck Leveling Gauge
1	TY26518	Grease Gun

Home Maintenance Kit

Unit	Kit Number
D155	LG264

CLICK PART NUMBER TO BUY