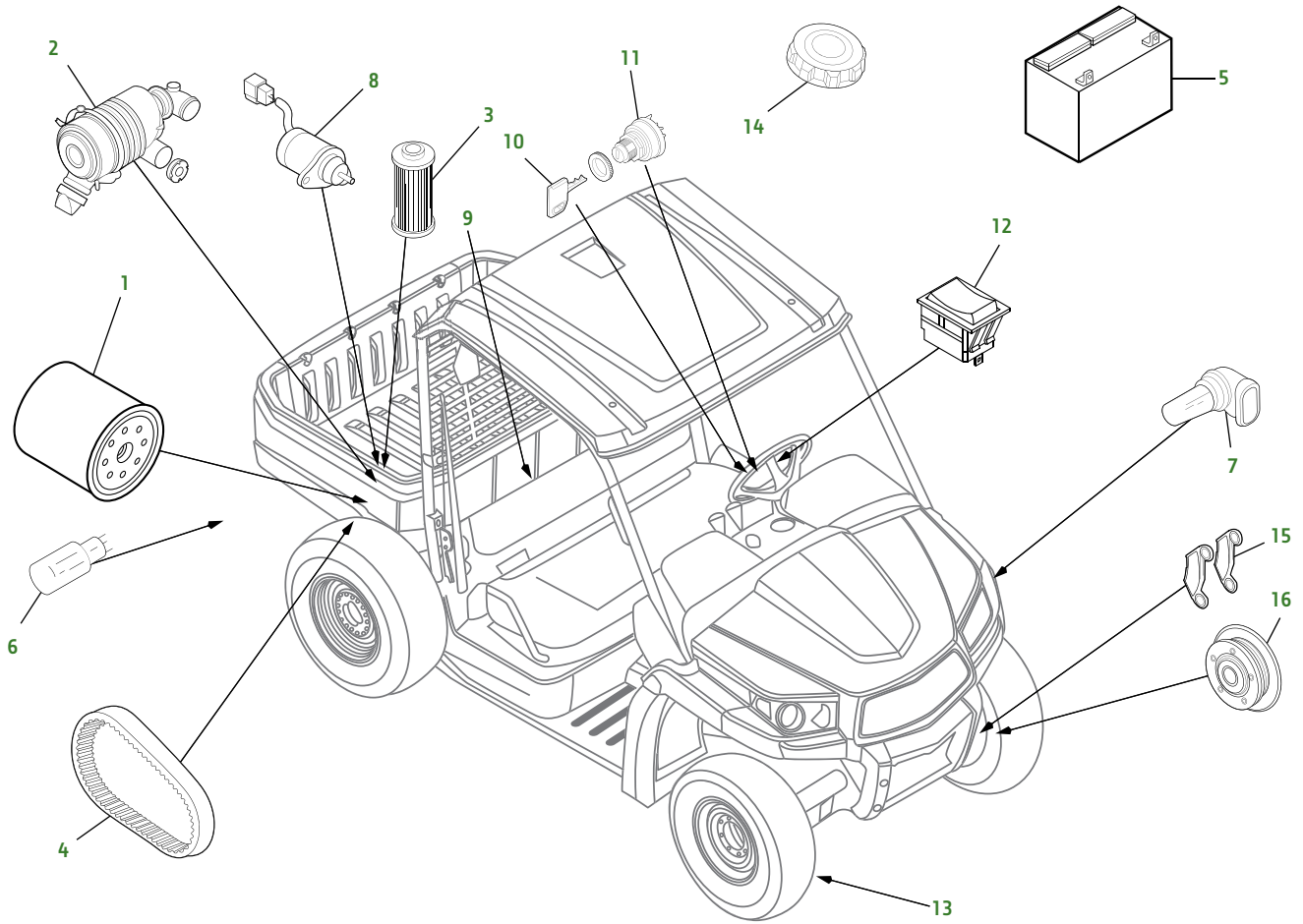


Gator XUV855E AND XUV855M 4X4 (Camo, Green & Yellow, Olive & Black)



Gator XUV855E AND XUV855M 4X4 (Camo, Green & Yellow, Olive & Black)

Key	Part No.	Description	Key	Part No.	Description
1	M806418	OIL FILTER	14	AM146278	FILLER CAP
2	M113621	AIR FILTER ELEMENT - PRIMARY	15	AM140607	BRAKE KIT - FRONT - INCLUDES 4 PADS
	M123378	AIR FILTER ELEMENT - SECONDARY		AM141182	BRAKE KIT - REAR - INCLUDES 4 PADS
3	M801101	FUEL FILTER ELEMENT	16	AM142949	ROTOR
4	M174096	BELT - DRIVE	17	LG260	HOME MAINTENANCE KIT
	MIU800679	BELT - FAN			
5	TY25881	BATTERY			
6	R133302	BULB - BRAKE LIGHT			
	RE49778	BULB - FRONT AMBER			
7	AM144882	BULB - HEADLIGHT			
8	M806808	FUEL SHUTOFF SOLENOID			
9	AM138194	SEAT - YELLOW			
	AM138195	SEAT - BLACK			
10	TCA24616	KEY			
11	UC10104	IGNITION SWITCH			
12	AM147340	ROCKER SWITCH - HEADLIGHT			
13	M177842	TIRE - FRONT — 26 X 9-12 in			
	M177843	TIRE - REAR — 26 X 11-12 in			
	M177846	TIRE - FRONT - 6 PLY 25 X 9-12 in			
	M177847	TIRE - REAR - 6 PLY 25 X 11-12 in			
	M177844	TIRE - REAR — 27 X 9-14 in			
	M177845	TIRE - REAR — 27 X 11-14 in			

Parts Needed in First 250 Hours of Operation

Qty	Part No.	Item	Capacity	Interval In Hours
2	M806418	Engine Oil Filter		50/200
1	TY22061	Torq-Gard Supreme Plus-50 Oil	1.8 qt	50/200
3	TY6341	Multi-Purpose SD Polyurea Grease (14 oz)		As Needed
1	M801101	Fuel Filter		200

Capacities

Crankcase (with filter)	1.7 L (1.8 qt)
4WD Front Differential	0.59 L (19.6 oz)
Transaxle	3.8 L (4.0 qt)
Cooling System (including recovery tank)	5.0 L (5.2 qt)