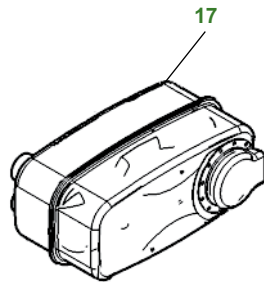
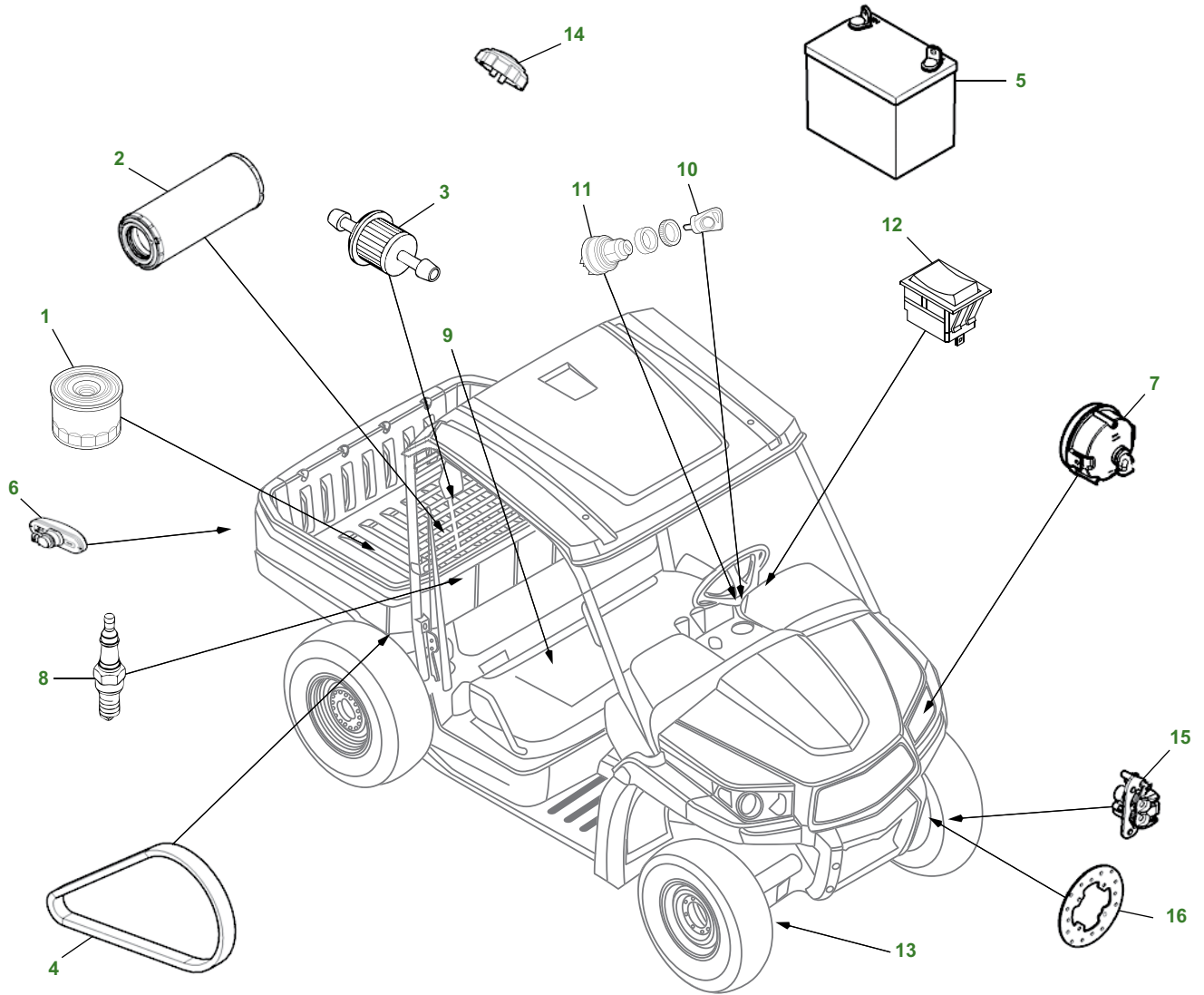


XUV560E / XUV560E S4 (Green & Yellow)



XUV560E / XUV560E S4 (Green & Yellow)

Key	Part No.	Description	Key	Part No.	Description
1	AM125424	OIL FILTER	15	AM148331	DISK BRAKE CALIPER ASSY - R FRONT
2	M170281	AIR FILTER ELEMENT		AM148330	DISK BRAKE CALIPER ASSY - L FRONT
3	AM116304	FUEL FILTER - IN LINE		AM148332	DISK BRAKE CALIPER ASSY - R REAR
4	M176720	BELT - CVT INLET		AM148333	DISK BRAKE CALIPER ASSY - L REAR
5	TY25221	BATTERY		AM148144	BRAKE KIT - FRONT PAD
6	AM140754	STOP LIGHT		AM148145	BRAKE KIT - REAR PAD
7	AM141893	HEADLIGHT	16	M166762	ROTOR
8	MIU13325	SPARK PLUG	17	AM141174	SPARK ARRESTING MUFFLER
9	AM147576	SEAT BACK - YELLOW	18	LG273	HOME MAINTENANCE KIT
	AM147575	SEAT BENCH - YELLOW			
	AM147577	SEAT BACK - BLACK			
	AM147574	SEAT BENCH - BLACK			
10	TCA24616	KEY			
11	UC10104	IGNITION SWITCH			
12	AM147340	ROCKER SWITCH - HEADLIGHT			
	AM116712	ROCKER SWITCH - POWER LIFT DUMP			
13	M178227	TIRE - FRONT — 25 X 8-12 in			
	M178228	TIRE - REAR - TH — 25 X 10-12 in			
14	AM142833	FILLER CAP			

Parts Needed in First 250 Hours of Operation

Qty	Part No.	Item	Capacity	Interval In Hours
3	AM125424	Engine Oil Filter		8/100/200
5	TY6364	1 qt JD Plus 4 10W30 Engine Oil	1.5 qt	8/100/200
1	M170281	Air Filter		200
1	AM116304	Fuel Filter		200
2	MIU13325	Spark Plugs	2	200
3	TY24416	John Deere Multi-Purpose HD Lithium Complex Grease		As Needed

Capacities

Engine Oil Capacity (with filter change) 1.5 qt
 4WD Front Differential 0.4 L (13.5 oz)
 Transaxle 2.6 L (2.75 qt)
 TY26183 Grease Gun