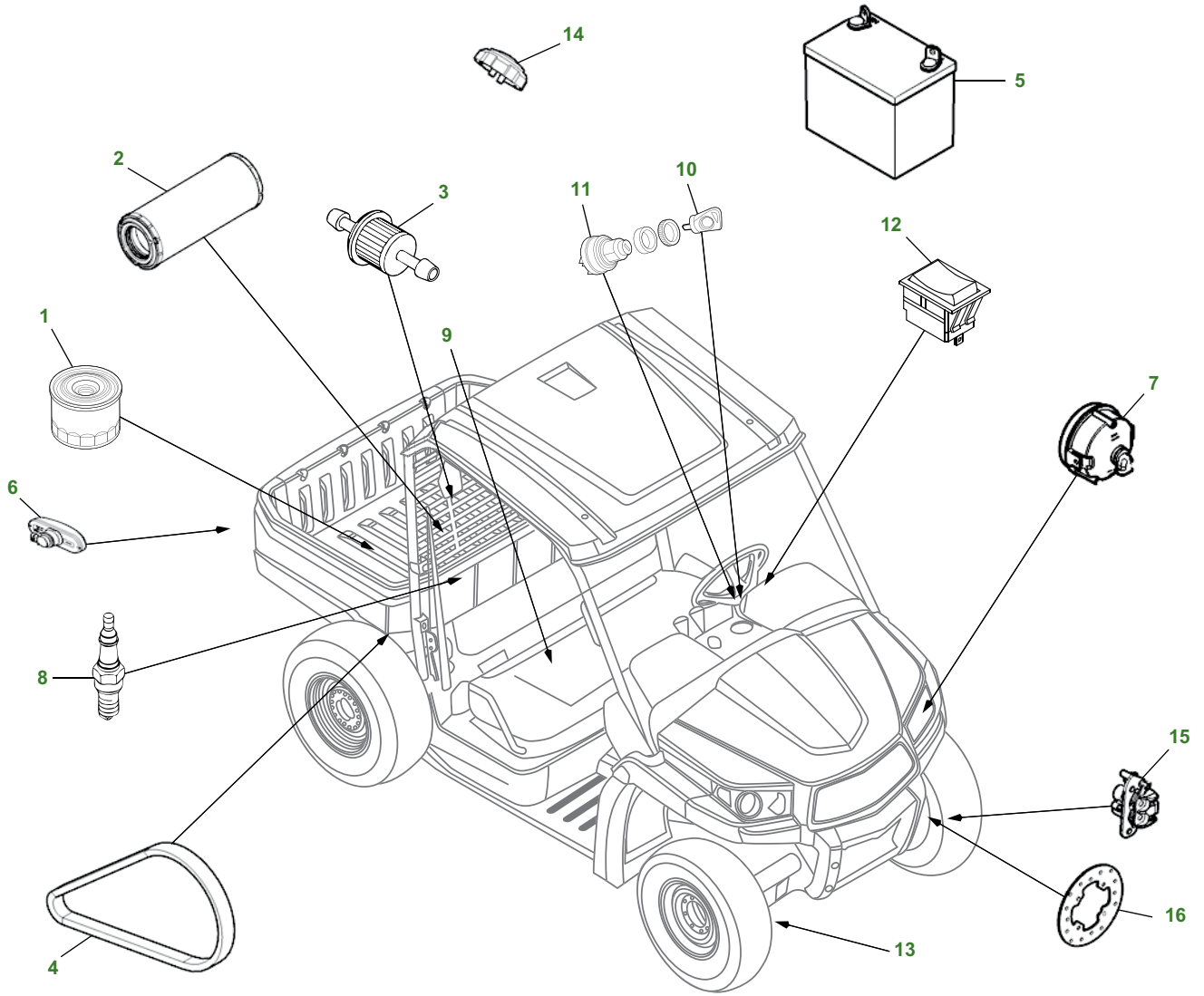


# Gator HPX615E (Green & Yellow)



17

## Gator HPX615E (Green &amp; Yellow)

Key	Part No.	Description	Key	Part No.	Description
1	<a href="#">AM107423</a>	OIL FILTER	13	<a href="#">M178664</a>	TIRE - FRONT - 24X9.5-10 ALL PURPOSE
2	<a href="#">M113621</a>	AIR FILTER ELEMENT		<a href="#">M178665</a>	TIRE - REAR - 24X10.5-10 ALL PURPOSE
3	<a href="#">AM116304</a>	FUEL FILTER - IN LINE		<a href="#">M178666</a>	TIRE - FRONT - 24X9.5-10 AGGRESSIVE
4	<a href="#">UC14244</a>	BELT-DRIVE		<a href="#">M178667</a>	TIRE - REAR - 24X12-10 AGGRESSIVE
5	<a href="#">TY25221</a>	BATTERY		<a href="#">M178662</a>	TIRE - FRONT - 24X9.5-10 TURF
6	<a href="#">R133302</a>	STOP LIGHT		<a href="#">M178663</a>	TIRE - REAR - 24X12-10 TURF
7	<a href="#">AM144798</a>	HEADLIGHT	14	<a href="#">AM146094</a>	FILLER CAP
8	<a href="#">M138938</a>	SPARK PLUG	15	<a href="#">AUC11300</a>	DISK BRAKE CALIPER ASSY - FRONT
9	<a href="#">AM140623</a>	SEAT BACK - YELLOW		<a href="#">AUC11301</a>	DISK BRAKE CALIPER ASSY - R REAR
	<a href="#">AM140624</a>	SEAT BENCH - YELLOW		<a href="#">AUC11302</a>	DISK BRAKE CALIPER ASSY - L REAR
	<a href="#">VG11696</a>	SEAT - YELLOW		<a href="#">M161183</a>	BRAKE PAD KIT
10	<a href="#">TCA24616</a>	KEY	16	<a href="#">AM142950</a>	ROTOR - FRONT
11	<a href="#">UC10104</a>	IGNITION SWITCH		<a href="#">AM135647</a>	ROTOR - REAR
12	<a href="#">AM147340</a>	ROCKER SWITCH - HEADLIGHT	17	<a href="#">LG259</a>	HOME MAINTENANCE KIT

## Parts Needed in First 250 Hours of Operation

Qty	Part No.	Item	Capacity	Interval In Hours
3	<a href="#">AM107423</a>	Engine Oil Filter		8/100/200
5	<a href="#">TY6364</a>	1 qt JD Plus 4 10W30 Engine Oil	1.37 qt	8/100/200
1	<a href="#">M113621</a>	Air Filter		200
1	<a href="#">AM116304</a>	Fuel Filter		200
2	<a href="#">M138938</a>	Spark Plugs	2	200
3	<a href="#">TY24416</a>	John Deere Multi-Purpose HD Lithium Complex Grease		As Needed

## Capacities

Engine Oil Capacity (with filter change) . . . . . 1.3 L (1.37 qt.)  
 4WD Front Differential . . . . . 150 mL (5 oz.)  
 Transaxle . . . . . 4.5 L (4.8 qt.)  
 Cooling System (including recovery tank) . . . . . 5.0 L (5.2 qt.)  
 TY26183 . . . . . Grease Gun