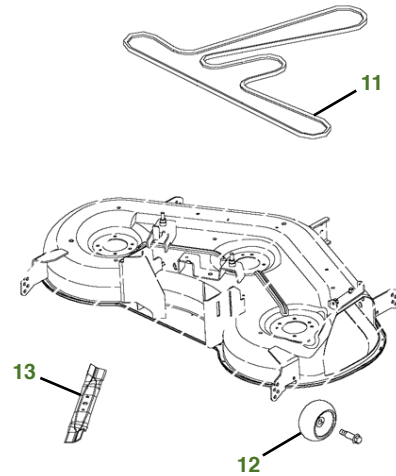
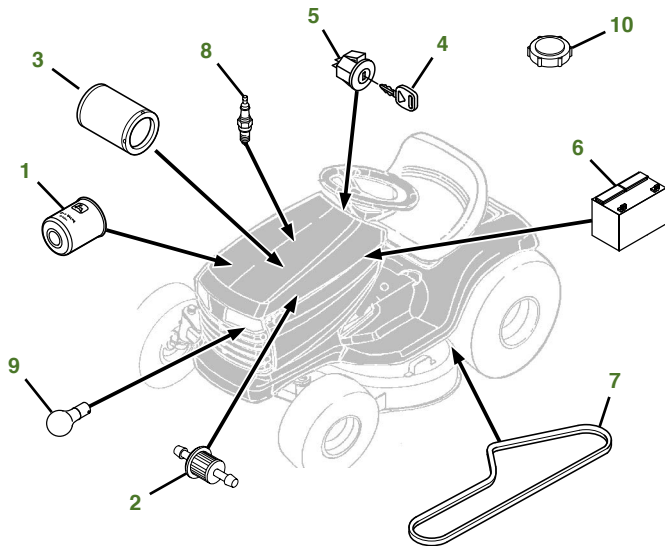


MAINTENANCE REMINDER SHEET

E140 with 48" Deck



Tractor S/N

Deck S/N

| Key | Part No. | Description | Key | Part No. | Description |
|-----|--------------------------|----------------------|-----|--------------------------|------------------|
| 1 | AM125424 | ENGINE OIL FILTER | 8 | M78543 | SPARK PLUG |
| 2 | AM116304 | FUEL FILTER-IN-LINE | 9 | AD2062R | HEADLIGHT BULB |
| 3 | MIU14395 | AIR FILTER-CARTRIDGE | 10 | AUC12860 | FUEL CAP |
| 4 | GY20680 | KEY | 11 | CX21833 | BELT-MOWER |
| 5 | GY20074 | IGNITION SWITCH | 12 | GX10168 | GAGE WHEEL |
| 6 | TY25221 | BATTERY | 13 | GX21784 | 3N1 BLADE 48" |
| 7 | GX20006 | BELT-TRACTION DRIVE | | GY20852 | KIT-BLADE 48" |
| | | | | CX21785 | KIT-BAGGING 48" |
| | | | | CX21786 | KIT-MULCHING 48" |

Parts Needed in First 250 Hours of Operation

| Qty | Part No | Item | Qty or Capacity | Change Interval In Hours |
|-----|--------------------------|---|-----------------|--------------------------|
| 10 | TY22029 | 1 qt. Engine Oil Turf-Gard™ 10W30 | 2 qt | 50/100/150/200/250 |
| 5 | AM125424 | Engine Oil Filter | 1 | 50/100/150/200/250 |
| 5 | GY21056 | Air Filter (Package) | 1 | 50/100/150/200/250 |
| 5 | AM116304 | Fuel Filter-In-Line | 1 | 50/100/150/200/250 |
| 10 | M78543 | Spark Plug | 2 | 50/100/150/200/250 |
| 2 | TY24416 | John Deere Multi-Purpose HD Lithium Complex Grease | | As Needed |

"As Needed" Parts

| Qty | Part No | Item |
|-----|--------------------------|---------------------------|
| 1 | AM130907 | Mower Deck Leveling Gauge |
| 1 | TY26518 | Grease Gun |

Home Maintenance Kit

| Unit | Kit Number |
|------|-----------------------|
| E140 | LG275 |

CLICK PART NUMBER TO BUY