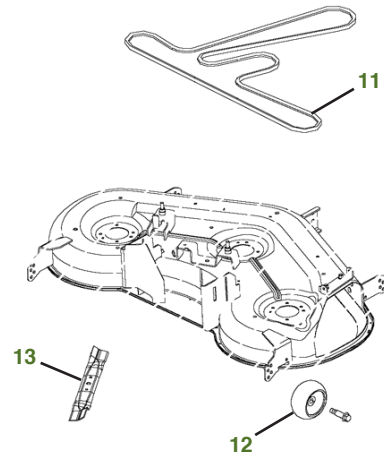
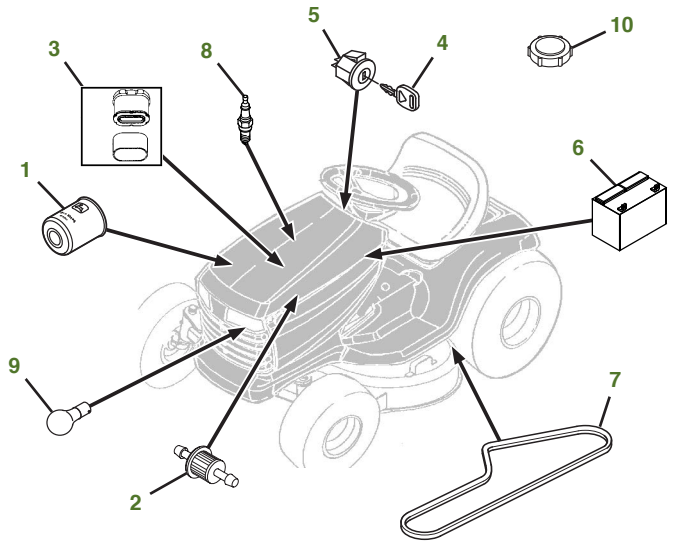


MAINTENANCE REMINDER SHEET

D170 with 54" Deck



Tractor S/N

Deck S/N

Key	Part No.	Description	Key	Part No.	Description
1	AM125424	ENGINE OIL FILTER	8	M78543	SPARK PLUG-ENG 44P777-0277-G1
2	AM116304	FUEL FILTER-IN-LINE		MIU11020	SPARK PLUG-ENG 44P777-0287-B1
3	MIU11515	AIR FILTER-CARTRIDGE	9	AD2062R	HEADLIGHT BULB
	MIU11517	AIR FILTER-PRE CLEANER	10	GX22166	FUEL CAP (S/N -500000)
4	GY20680	KEY	10	GX23465	FUEL CAP (S/N 500001-)
5	GY20074	IGNITION SWITCH	11	GX21395	BELT-MOWER
6	TY25878	BATTERY	12	GX10168	GAGE WHEEL
7	GX20006	BELT-TRACTION DRIVE	13	GY20684	KIT-BLADE 54"

Parts Needed in First 250 Hours of Operation

Qty	Part No	Item	Qty or Capacity	Change Interval In Hours
2	TY22076	2.5 gal Engine Oil Turf-Gard™ 10W30	2 qt	8/50/100/150/200/250
5	AM125424	Engine Oil Filter	1	50/100/150/200/250
5	MIU11515	Air Filter-Cartridge	1	50/100/150/200/250
5	AM116304	Fuel Filter-In-Line	1	50/100/150/200/250
10	M78543 or MIU11020	Spark Plug	2	50/100/150/200/250
2	TY6341	JD Multi Purpose SD Polyurea Grease		As Needed

"As Needed" Parts

Qty	Part No	Item
1	AM130907	Mower Deck Leveling Gauge
1	TY26518	Grease Gun

Home Maintenance Kit

Unit	Kit Number
D170	LG264 (49 State) LG268 (50 State)

CLICK PART NUMBER TO BUY