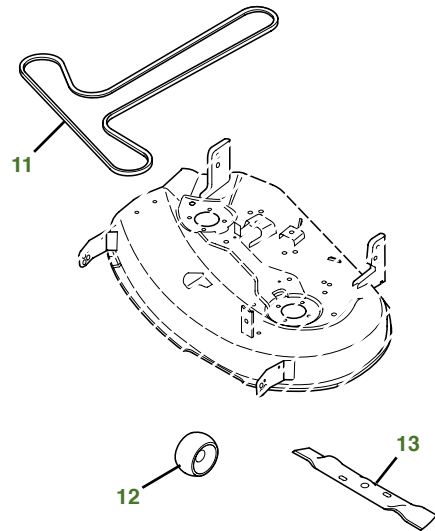
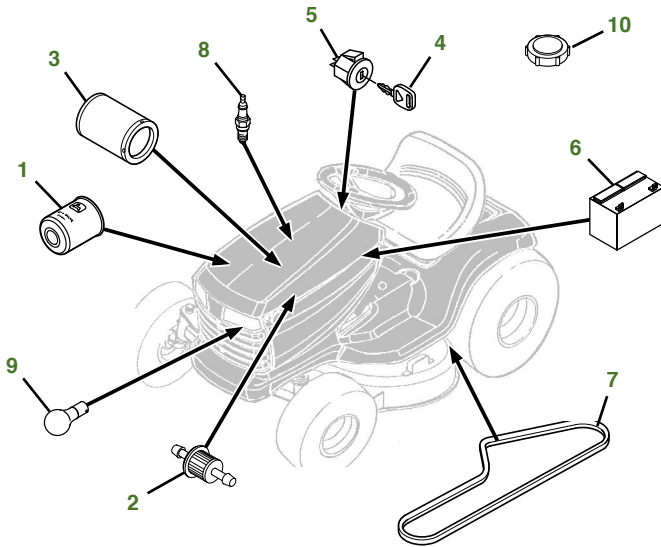


# MAINTENANCE REMINDER SHEET

## D125 with 42" Deck



Tractor S/N

Deck S/N

Key	Part No.	Description	Key	Part No.	Description
1	<a href="#">AM125424</a>	ENGINE OIL FILTER	9	<a href="#">AD2062R</a>	HEADLIGHT BULB
2	<a href="#">AM116304</a>	FUEL FILTER-IN-LINE	10	<a href="#">GX23465</a>	FUEL CAP
3	<a href="#">MIU13963</a>	AIR FILTER	11	<a href="#">GX20072</a>	BELT-MOWER
4	<a href="#">GY20680</a>	KEY	12	<a href="#">GX10168</a>	GAGE WHEEL
5	<a href="#">GY20074</a>	IGNITION SWITCH	13	<a href="#">GX22151</a>	3N1 BLADE 42"
6	<a href="#">TY25878</a>	BATTERY		<a href="#">GY20850</a>	KIT-BLADE 42"
7	<a href="#">GX20006</a>	BELT-TRACTION DRIVE		<a href="#">AM141033</a>	KIT-MULCHING 42"
8	<a href="#">M78543</a>	SPARK PLUG (USA)		<a href="#">AM141034</a>	KIT-BAGGING 42"
	<a href="#">MIU11020</a>	SPARK PLUG (CANADA, ROW)		<a href="#">GY00115</a>	KIT-MULCH COVER

### Parts Needed in First 250 Hours of Operation

Qty	Part No	Item	Qty or Capacity	Change Interval In Hours
12	<a href="#">TY22029</a>	1 qt. Engine Oil Turf-Gard™ 10W30	2 qt	8/50/100/150/200/250
5	<a href="#">AM125424</a>	Engine Oil Filter	1	50/100/150/200/250
5	<a href="#">MIU13963</a>	Air Filter	1	50/100/150/200/250
5	<a href="#">AM116304</a>	Fuel Filter	1	50/100/150/200/250
10	<a href="#">M78543</a> <a href="#">MIU11020</a>	Spark Plug (USA) Spark Plug (Canada, Row)	2 2	50/100/150/200/250 50/100/150/200/250
2	<a href="#">TY6341</a>	JD Multi Purpose SD Polyurea Grease		As Needed

### "As Needed" Parts

Qty	Part No	Item
1	<a href="#">AM130907</a>	Mower Deck Leveling Gauge
1	<a href="#">TY26518</a>	Grease Gun

### Home Maintenance Kit

Unit	Kit Number
D125	<a href="#">LG275 (USA)</a> <a href="#">LG276 (Canada, ROW)</a>

CLICK PART NUMBER TO BUY