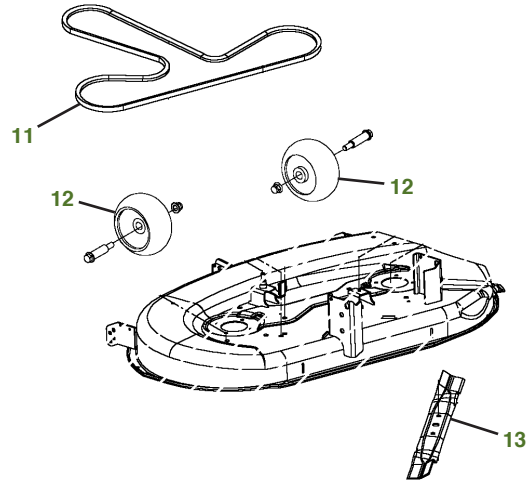
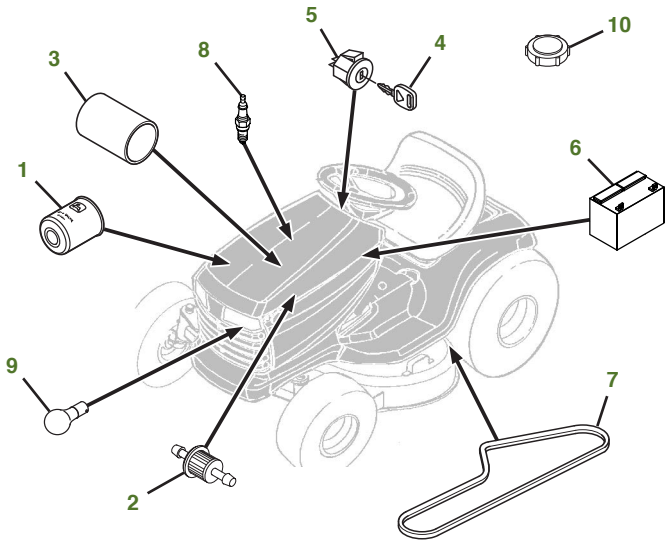


# MAINTENANCE REMINDER SHEET

## D110 with 42" Deck



Tractor S/N

Deck S/N

Key	Part No.	Description	Key	Part No.	Description
1	<a href="#">AM125424</a>	ENGINE OIL FILTER	9	<a href="#">AD2062R</a>	HEADLIGHT BULB
2	<a href="#">AM116304</a>	FUEL FILTER-IN-LINE	10	<a href="#">GX22166</a>	FUEL CAP (S/N -500000)
3	<a href="#">MIU14395</a>	AIR FILTER		<a href="#">GX23465</a>	FUEL CAP (S/N 500001-)
4	<a href="#">GY20680</a>	KEY	11	<a href="#">GX20072</a>	BELT-MOWER
5	<a href="#">GY20074</a>	IGNITION SWITCH	12	<a href="#">GX10168</a>	GAGE WHEEL
6	<a href="#">TY25878</a>	BATTERY	13	<a href="#">GX22151</a>	3N1 BLADE 42"
7	<a href="#">CX20006</a>	BELT-TRACTION DRIVE		<a href="#">GY20850</a>	KIT-BLADE 42"
8	<a href="#">M78543</a>	SPARK PLUG - 49 STATE		<a href="#">AM141034</a>	KIT-BAGGING 42"
	<a href="#">MIU11020</a>	SPARK PLUG - 50 STATE		<a href="#">AM141033</a>	KIT-MULCHING 42"

### Parts Needed in First 250 Hours of Operation

Qty	Part No	Item	Qty or Capacity	Change Interval In Hours
1	<a href="#">TY22076</a>	2.5 gal Engine Oil Turf-Gard™ 10W30	1.5 qt	8/50/100/150/200/250
6	<a href="#">AM125424</a>	Engine Oil Filter	1	8/50/100/150/200/250
5	<a href="#">MIU14395</a>	Air Filter	1	50/100/150/200/250
5	<a href="#">AM116304</a>	Fuel Filter-In-Line	1	50/100/150/200/250
5	<a href="#">M78543</a> or <a href="#">MIU11020</a>	Spark Plug	1	50/100/150/200/250
2	<a href="#">TY6341</a>	JD Multi Purpose SD Polyurea Grease		As Needed

### "As Needed" Parts

Qty	Part No	Item
1	<a href="#">AM130907</a>	Mower Deck Leveling Gauge
1	<a href="#">TY26518</a>	Grease Gun

### Home Maintenance Kit

Unit	Kit Number
D110	<a href="#">LG266</a> (49 State) (S/N -500000) <a href="#">LG271</a> (50 State) (S/N -500000) <a href="#">LG262</a> (S/N 500001-)

CLICK PART NUMBER TO BUY