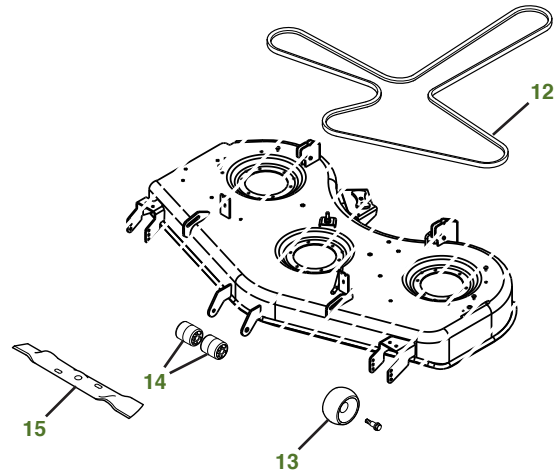
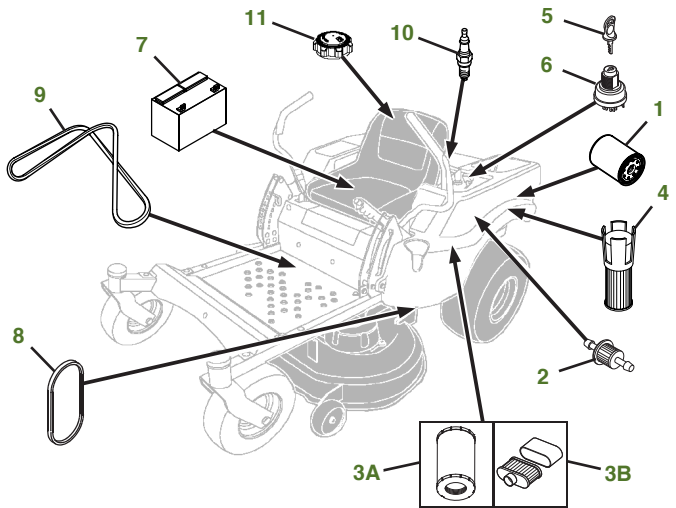


MAINTENANCE REMINDER SHEET

Z645 with 48" High Capacity Deck



Tractor S/N

Deck S/N

Key	Part No.	Description	Key	Part No.	Description
1	AM125424	ENGINE OIL FILTER	9	M147044	BELT-POWER FLOW
2	AM116304	FUEL FILTER-IN-LINE	10	MIU11020	SPARK PLUG (S/N -150000)
3A	MIU13120	AIR FILTER (S/N -150000)		M805853	SPARK PLUG (S/N 150001-)
3B	MIU12554	AIR FILTER-FOAM (S/N 150001-)	11	AM141161	FUEL CAP
	MIU12555	AIR FILTER-PAPER (S/N 150001-)	12	M160912	BELT-MOWER
4	AM141585	INTEGRATED HYDRAULIC FILTER	13	TCU18744	GAGE WHEEL
5	AM125504	KEY	14	M113955	FRONT ROLLER
6	TCA22740	IGNITION SWITCH	15	TCU30315	BLADE-HIGH LIFT 48"
7	TY25878	BATTERY		M136185	BLADE-MULCHING 48"
8	M160956	BELT-TRAC DRIVE (S/N -130000)			
	M169705	BELT-TRAC DRIVE (S/N 130001-)			

Parts Needed in First 250 Hours of Operation

Qty	Part No	Item	Qty or Capacity	Change Interval In Hours
2	TY22076	2.5 gal Engine Oil Turf-Gard™ 10W30	1.75 qt	8/50/100/150/200/250
6	AM125424	Engine Oil Filter	1	8/50/100/150/200/250
2	MIU13120 or MIU12554 and MIU12555	Air Filter	1	100/200
2	AM116304	Fuel Filter	1	100/200
4	MIU11020 or M805853	Spark Plug	2	100/200
2	TY6341	JD Multi Purpose SD Polyurea Grease		As Needed

"As Needed" Parts

Qty	Part No	Item
1	AM130907	Mower Deck Leveling Gauge
1	TY26518	Grease Gun

Home Maintenance Kit

Unit	Kit Number
Z645	LG269 (S/N 100001-140000) LG265 (S/N 140001-)

CLICK PART NUMBER TO BUY