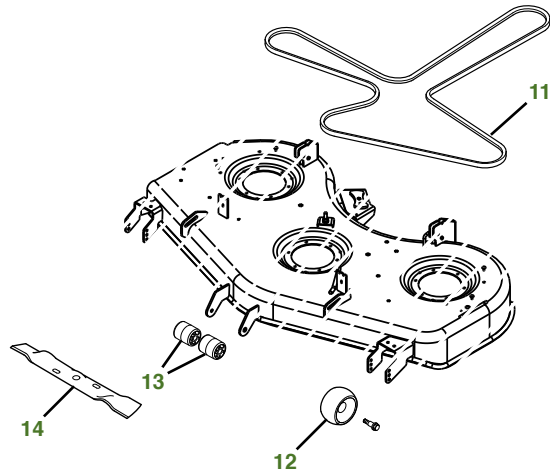
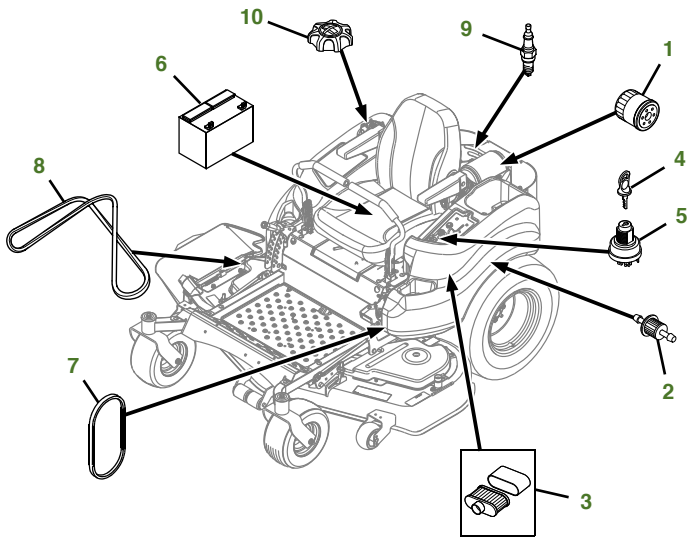


MAINTENANCE REMINDER SHEET

Z540R with 54" High Capacity Deck



Tractor S/N

Deck S/N

Key	Part No.	Description	Key	Part No.	Description
1	AM125424	ENGINE OIL FILTER	8	M147044	BELT-POWER FLOW
2	AM116304	FUEL FILTER-IN-LINE	9	M805853	SPARK PLUG
3	MIU12554	AIR FILTER-FOAM	10	AM146138	FUEL CAP
	MIU12555	AIR FILTER-PAPER	11	GX25998	BELT-MOWER
4	AM125504	KEY	12	TCU18744	GAGE WHEEL
5	TCA22740	IGNITION SWITCH	13	M113955	FRONT ROLLER
6	TY25878	BATTERY	14	M164016	BLADE-HC 54"
7	M172116	BELT-TRAC DRIVE		M135334	BLADE-MULCHING 54"
				BM23977	MULCH KIT (S/N -160000)
				BM26300	MULCHCONTROL™ KIT (S/N 160001-)

Parts Needed in First 250 Hours of Operation

Qty	Part No	Item	Qty or Capacity	Change Interval In Hours
11	TY22076	2.5 gal Engine Oil Turf-Gard™ 10W30	2.2 qt	50/100/150/200/250
5	AM125424	Engine Oil Filter	1	50/100/150/200/250
2	MIU12554 and MIU12555	Air Filter	1	100/200
2	AM116304	Fuel Filter	1	100/200
4	M805853	Spark Plug	2	100/200
2	TY24416	John Deere Multi-Purpose HD Lithium Complex Grease		As Needed

"As Needed" Parts

Qty	Part No	Item
1	AM130907	Mower Deck Leveling Gauge
1	TY26518	Grease Gun

Home Maintenance Kit

Unit	Kit Number
Z540R	LG265

CLICK PART NUMBER TO BUY