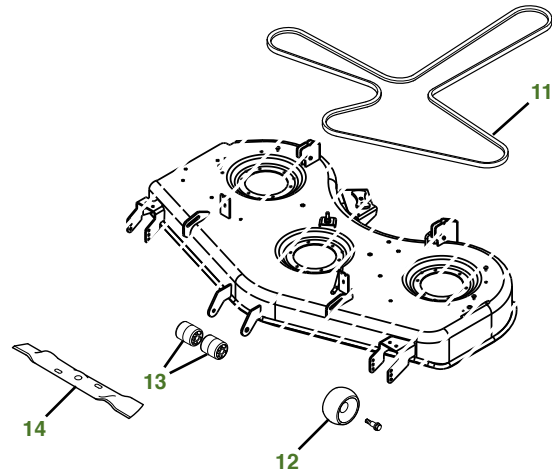
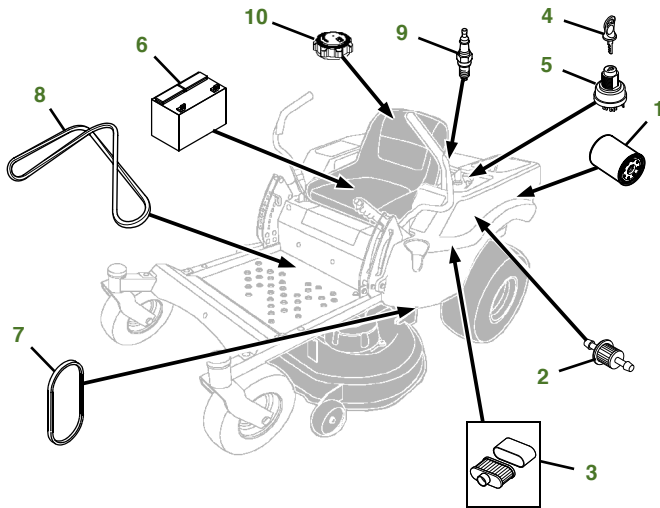


MAINTENANCE REMINDER SHEET

Z540R with 48" High Capacity Deck



Tractor S/N

Deck S/N

Key	Part No.	Description	Key	Part No.	Description
1	AM125424	ENGINE OIL FILTER	8	M147044	BELT-POWER FLOW
2	AM116304	FUEL FILTER-IN-LINE	9	M805853	SPARK PLUG
3	MIU12554	AIR FILTER-FOAM	10	AM146138	FUEL CAP
	MIU12555	AIR FILTER-PAPER	11	GX25998	BELT-MOWER
4	AM125504	KEY	12	TCU18744	GAGE WHEEL
5	TCA22740	IGNITION SWITCH	13	M113955	FRONT ROLLER
6	TY25878	BATTERY	14	TCU30315	BLADE-HIGH LIFT 48"
7	M172116	BELT-TRAC DRIVE		M136185	BLADE-MULCHING 48"
				BM23975	MULCH KIT

Parts Needed in First 250 Hours of Operation

Qty	Part No	Item	Qty or Capacity	Change Interval In Hours
11	TY22076	2.5 gal Engine Oil Turf-Gard™ 10W30	2.2 qt	50/100/150/200/250
5	AM125424	Engine Oil Filter	1	50/100/150/200/250
2	MIU12554 and MIU12555	Air Filter	1	100/200
2	AM116304	Fuel Filter	1	100/200
4	M805853	Spark Plug	2	100/200
2	TY24416	John Deere Multi-Purpose HD Lithium Complex Grease		As Needed

"As Needed" Parts

Qty	Part No	Item
1	AM130907	Mower Deck Leveling Gauge
1	TY26518	Grease Gun

Home Maintenance Kit

Unit	Kit Number
Z540R	LG265

CLICK PART NUMBER TO BUY