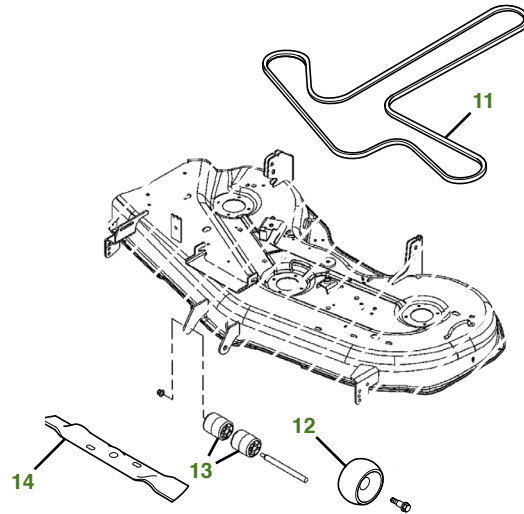
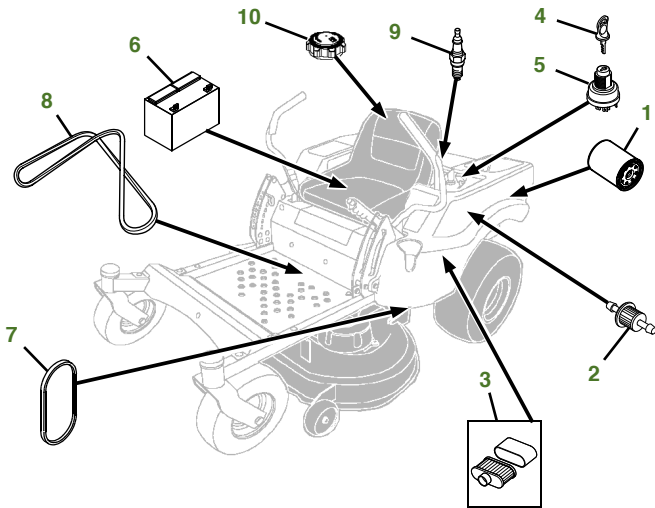


MAINTENANCE REMINDER SHEET

Z540M with 54" Accel Deep™ Deck



Tractor S/N

Deck S/N

Key	Part No.	Description	Key	Part No.	Description
1	AM125424	ENGINE OIL FILTER	7	M172116	BELT-DRIVE
2	AM116304	FUEL FILTER-IN-LINE	8	M147044	BELT-POWER FLOW
3	MIU12554	AIR FILTER-FOAM	9	M805853	SPARK PLUG
	MIU12555	AIR FILTER-PAPER	10	AM146138	FUEL CAP
4	AM125504	KEY	11	CX25998	BELT-MOWER
5	TCA22740	IGNITION SWITCH	12	CX10168	GAGE WHEEL
6	TY25878	BATTERY	13	M113955	FRONT ROLLER
			14	M143520	BLADE-SIDE DISCHARGE 54"
				M177791	BLADE-MULCHING 54"
				BM24994	MULCHCONTROL™ KIT

Parts Needed in First 250 Hours of Operation

Qty	Part No	Item	Qty or Capacity	Change Interval In Hours
2	TY22076	2.5 gal Engine Oil Turf-Gard™ 10W30	2.2 qt	8/50/100/150/200/250
6	AM125424	Engine Oil Filter	1	8/50/100/150/200/250
2	MIU12554	Air Filter-Foam	1	100/200
2	MIU12555	Air Filter-Paper	1	100/200
2	AM116304	Fuel Filter	1	100/200
4	M805853	Spark Plug	2	100/200
2	TY24416	John Deere Multi-Purpose HD Lithium Complex Grease		As Needed

"As Needed" Parts

Qty	Part No	Item
1	AM130907	Mower Deck Leveling Gauge
1	TY26518	Grease Gun

Home Maintenance Kit

Unit	Kit Number
Z540M	LG265

CLICK PART NUMBER TO BUY