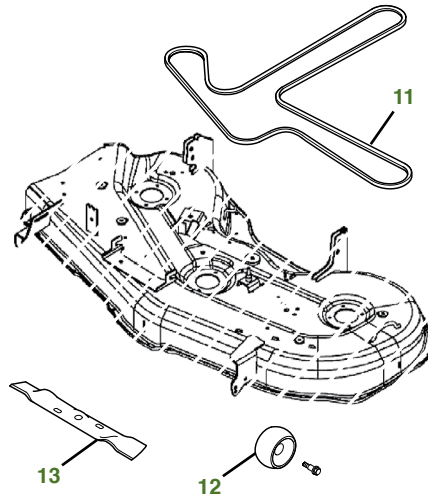
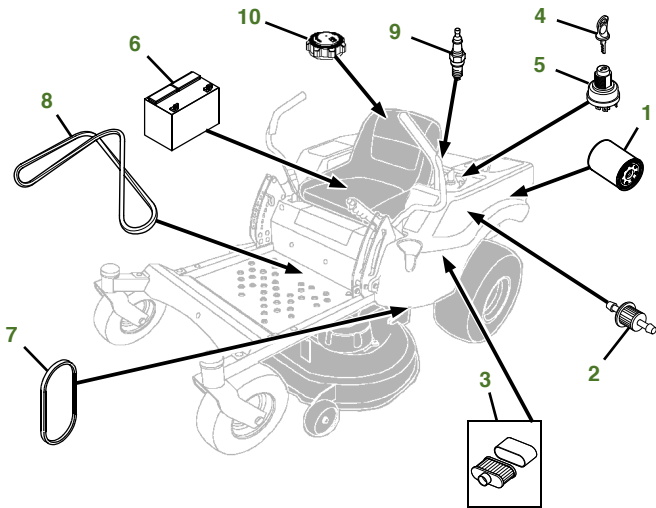


# MAINTENANCE REMINDER SHEET

## Z540M with 48" Accel Deep™ Deck



Tractor S/N

Deck S/N

Key	Part No.	Description	Key	Part No.	Description
1	<a href="#">AM125424</a>	ENGINE OIL FILTER	8	<a href="#">M147044</a>	BELT-POWER FLOW
2	<a href="#">AM116304</a>	FUEL FILTER-IN-LINE	9	<a href="#">M805853</a>	SPARK PLUG
3	<a href="#">MIU12554</a>	AIR FILTER-FOAM	10	<a href="#">AM146138</a>	FUEL CAP
	<a href="#">MIU12555</a>	AIR FILTER-PAPER	11	<a href="#">GX25998</a>	BELT-MOWER
4	<a href="#">AM125504</a>	KEY	12	<a href="#">GX10168</a>	GAGE WHEEL
5	<a href="#">TCA22740</a>	IGNITION SWITCH	13	<a href="#">M145476</a>	BLADE-SIDE DISCHARGE 48"
6	<a href="#">TY25878</a>	BATTERY		<a href="#">M127673</a>	BLADE-MULCHING 48"
7	<a href="#">M172116</a>	BELT-DRIVE		<a href="#">BM24993</a>	MULCHCONTROL™ KIT

### Parts Needed in First 250 Hours of Operation

Qty	Part No	Item	Qty or Capacity	Change Interval In Hours
11	<a href="#">TY22076</a>	2.5 gal Engine Oil Turf-Gard™ 10W30	2.2 qt	50/100/150/200/250
5	<a href="#">AM125424</a>	Engine Oil Filter	1	50/100/150/200/250
2	<a href="#">MIU12554</a>	Air Filter-Foam	1	100/200
2	<a href="#">MIU12555</a>	Air Filter-Paper	1	100/200
2	<a href="#">AM116304</a>	Fuel Filter	1	100/200
4	<a href="#">M805853</a>	Spark Plug	2	100/200
2	<a href="#">TY24416</a>	John Deere Multi-Purpose HD Lithium Complex Grease		As Needed

### "As Needed" Parts

Qty	Part No	Item
1	<a href="#">AM130907</a>	Mower Deck Leveling Gauge
1	<a href="#">TY26518</a>	Grease Gun

### Home Maintenance Kit

Unit	Kit Number
Z540M	<a href="#">LG265</a>

CLICK PART NUMBER TO BUY