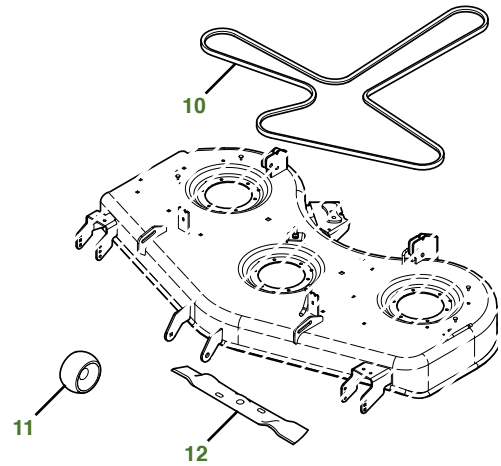
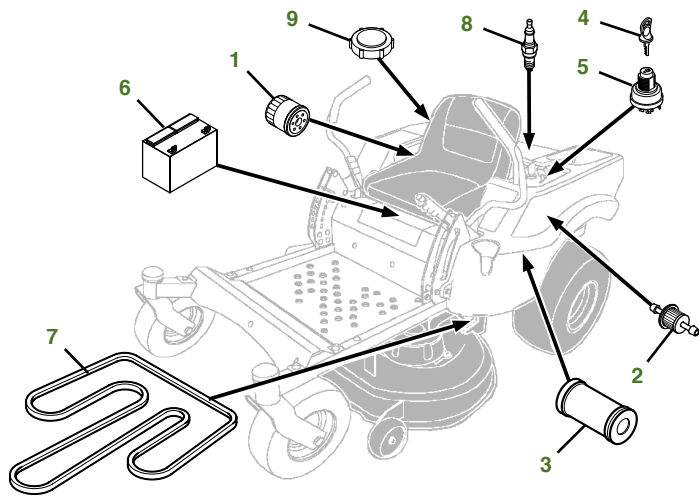


MAINTENANCE REMINDER SHEET

Z535R with 54" High Capacity Deck



Tractor S/N

Deck S/N

| Key | Part No. | Description | Key | Part No. | Description |
|-----|--------------------------|---------------------|-----|--------------------------|---------------------------------|
| 1 | AM125424 | ENGINE OIL FILTER | 8 | MIU11020 | SPARK PLUG |
| 2 | AM116304 | FUEL FILTER-IN-LINE | 9 | AM146138 | FUEL CAP |
| 3 | AUC10688 | AIR FILTER | 10 | GX25998 | BELT-MOWER |
| 4 | AM125504 | KEY | 11 | TCU18744 | GAGE WHEEL |
| 5 | TCA22740 | IGNITION SWITCH | 12 | M164016 | BLADE-HIGH LIFT 54" |
| 6 | TY25878 | BATTERY | | M135334 | BLADE-MULCHING 54" |
| 7 | M172116 | BELT-TRACTION DRIVE | | BM23977 | KIT-MULCHING 54" (S/N -160000) |
| | | | | BM26300 | KIT-MULCHCONTROL™ (S/N 160001-) |

Parts Needed in First 250 Hours of Operation

| Qty | Part No | Item | Qty or Capacity | Change Interval In Hours |
|-----|--------------------------|--|-----------------|--------------------------|
| 10 | TY22029 | 1 qt Engine Oil Turf-Gard™ 10W30 | 1.9 qt | 50/100/150/200/250 |
| 5 | AM125424 | Engine Oil Filter | 1 | 50/100/150/200/250 |
| 2 | AUC10688 | Air Filter | 1 | 100/200 |
| 2 | AM116304 | Fuel Filter | 1 | 100/200 |
| 4 | MIU11020 | Spark Plug | 2 | 100/200 |
| 1 | TY24416 | JD Multi Purpose HD Lithium Complex Grease | | As Needed |

"As Needed" Parts

| Qty | Part No | Item |
|-----|--------------------------|---------------------------|
| 1 | AM130907 | Mower Deck Leveling Gauge |
| 1 | TY26517 | Grease Gun |

Home Maintenance Kit

| Unit | Kit Number |
|-------|-----------------------|
| Z535R | LG269 |

CLICK PART NUMBER TO BUY