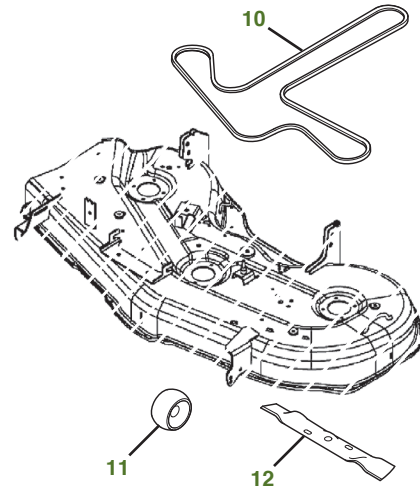
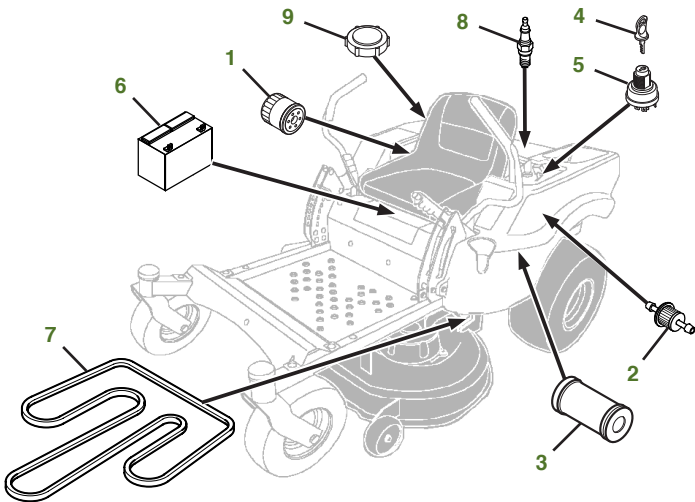


MAINTENANCE REMINDER SHEET

Z435 with 54" Deck



Tractor S/N

Deck S/N

Key	Part No.	Description	Key	Part No.	Description
1	AM125424	ENGINE OIL FILTER	9	AM141161	FUEL CAP
2	AM116304	FUEL FILTER-IN-LINE	10	M158131	BELT-MOWER
3	MIU13120	AIR FILTER	11	GX10168	GAGE WHEEL
4	AM125504	KEY	12	M143520	BLADE-STANDARD 54"
5	TCA22740	IGNITION SWITCH		M145516	BLADE-MULCHING 54"
6	TY25221	BATTERY		BM20827	KIT-MULCHING 54"
7	M169705	BELT-TRACTION DRIVE			
8	MIU11020	SPARK PLUG			

Parts Needed in First 250 Hours of Operation

Qty	Part No	Item	Qty or Capacity	Change Interval In Hours
12	TY22029	1 qt Engine Oil Turf-Gard™ 10W30	1.9 qt	8/50/100/150/200/250
6	AM125424	Engine Oil Filter	1	8/50/100/150/200/250
2	MIU13120	Air Filter	1	100/200
2	AM116304	Fuel Filter	1	100/200
4	MIU11020	Spark Plug	2	100/200
1	TY24416	JD Multi Purpose HD Lithium Complex Grease		As Needed

"As Needed" Parts

Qty	Part No	Item
1	AM130907	Mower Deck Leveling Gauge
1	TY26517	Grease Gun

Home Maintenance Kit

Unit	Kit Number
Z435	LG269