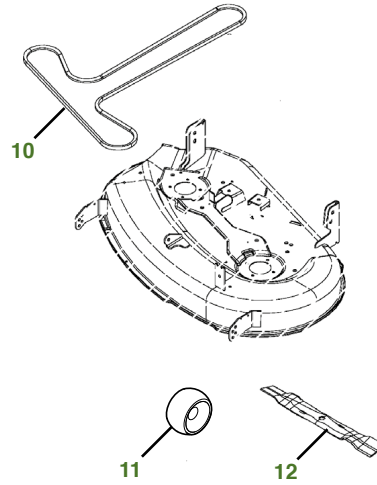
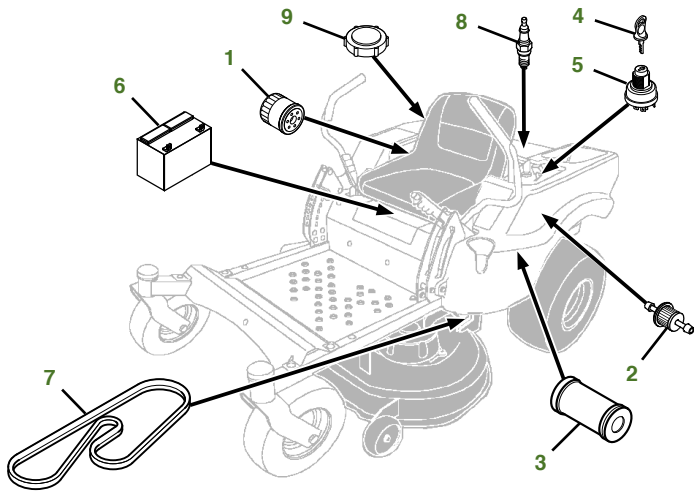


MAINTENANCE REMINDER SHEET

Z335E with 42" Accel Deep™ Deck



Tractor S/N

Deck S/N

Key	Part No.	Description	Key	Part No.	Description
1	AM125424	ENGINE OIL FILTER	9	GX23465	FUEL CAP
2	AM116304	FUEL FILTER-IN-LINE	10	GX25628	BELT-MOWER
3	MIU14395	AIR FILTER	11	GX10168	GAGE WHEEL
4	AM125504	KEY	12	M170642	KIT-MULCHING 42"
5	TCA22740	IGNITION SWITCH		GX25668	KIT-BAGGING 42"
6	TY25878	BATTERY		M170639	KIT-SIDE DISCHARGE 42"
7	CX26401	BELT-TRACTION DRIVE	13	BM24794	MULCHCONTROL™ KIT
8	MIU11020	SPARK PLUG			

Parts Needed in First 250 Hours of Operation

Qty	Part No	Item	Qty or Capacity	Change Interval In Hours
10	TY22029	1 qt. Engine Oil Turf-Gard™ 10W30	2.0 qt	50/100/150/200/250
5	AM125424	Engine Oil Filter	1	50/100/150/200/250
2	MIU14395	Air Filter	1	100/200
2	AM116304	Fuel Filter-In-Line	1	100/200
4	MIU11020	Spark Plug	2	100/200
2	TY24416	John Deere Multi-Purpose HD Lithium Complex Grease		As Needed

"As Needed" Parts

Qty	Part No	Item
1	AM130907	Mower Deck Leveling Gauge
1	TY26517	Grease Gun

Home Maintenance Kit

Unit	Kit Number
Z335E	LG276 S/N 010,001-

CLICK PART NUMBER TO BUY