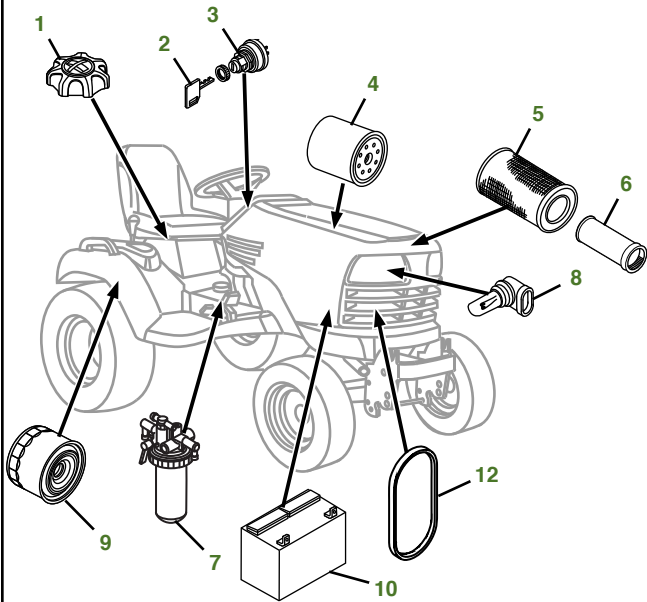
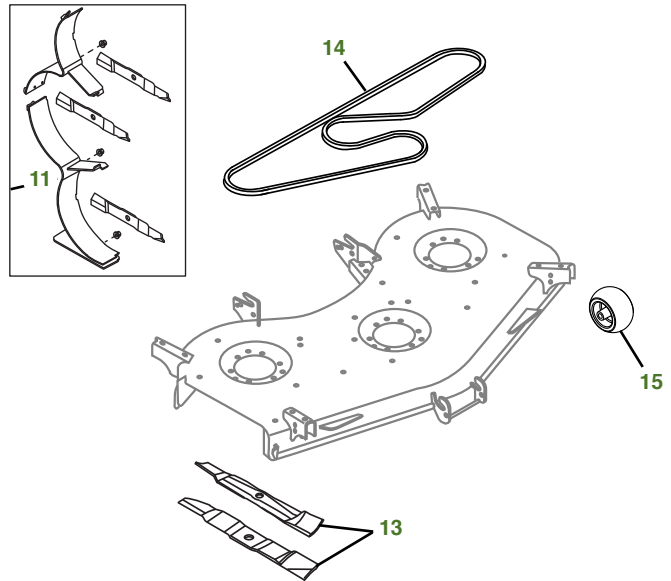


MAINTENANCE REMINDER SHEET

X758 with 60" High Capacity Deck



Tractor S/N



Deck S/N

Key	Part No.	Description
1	AM123508	FUEL CAP (S/N -020000)
	AM144789	FUEL CAP (S/N 020001-)
2	CY20680	KEY
3	AM133596	IGNITION SWITCH
4	M806418	ENGINE OIL FILTER
5	M113621	ENGINE AIR FILTER-PRIMARY
6	M123378	ENGINE AIR FILTER-SECONDARY
7	M801101	FUEL FILTER
8	AM118013	HEADLIGHT BULB
9	AM131054	TRANSAXLE FILTER

Key	Part No.	Description
10	TY25876	BATTERY - DRY CHARGED
11	BM23978	MULCH KIT - 60C DECK (S/N -030000)
	BM25258	KIT - MULCHCONTROL™ (S/N 030001-)
12	MIU800108	FAN BELT (S/N -040000)
	MIU800639	FAN BELT (S/N 040001-)
13	M163983	BLADE - STANDARD 60"
	M168223	BLADE - MULCHING 60"
14	M163993	BELT
15	TCU18744	GAGE WHEEL (S/N -050000)
	AM148120	GAGE WHEEL (S/N 050001-)

Parts Needed in First 200 Hours of Operation

Qty	Part No	Item	Qty or Capacity	Change Interval In Hours
2	TY26673	1 gal Engine Oil PLUS-50™ II	3.4 qt	50/200
2	M806418	Engine Oil Filter	1	50/200
15	TY22035	1 qt Low Viscosity Hy-Gard™	7.2 qt	50/200
2	AM131054	Transaxle Filter	1	50/200
1	M801101	Fuel Filter	1	200
1	M113621	Engine Air Filter-Primary	1	200
1	M123378	Engine Air Filter-Secondary	1	200
1	TY6341	Multi Purpose SD Polyurea Grease		As Needed

"As Needed" Parts

Qty	Part No	Item
1	AM136872	Mower Deck Leveling Gauge
1	TY26288	Grease Gun

Home Maintenance Kit

Unit	Kit Number
X758	LG260

CLICK PART NUMBER TO BUY