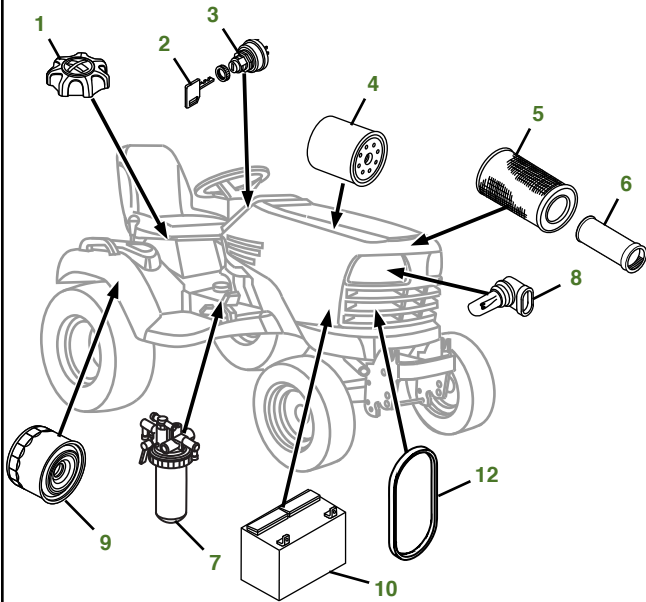
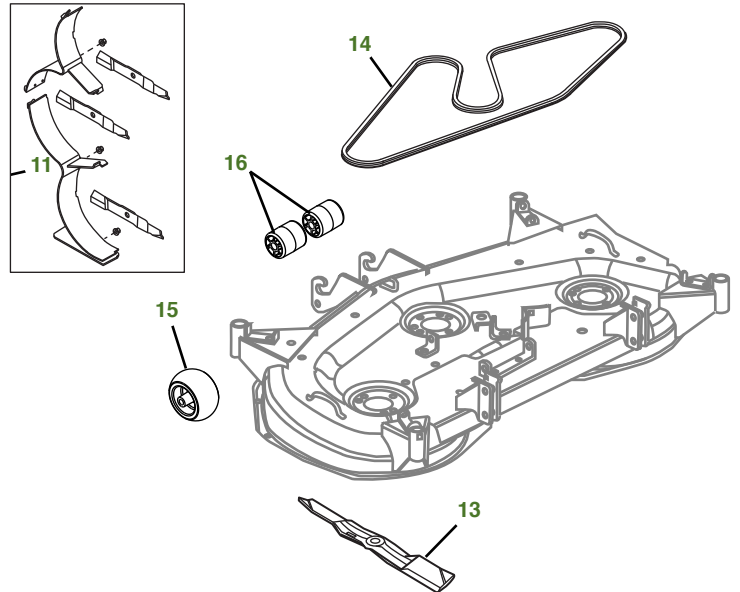


# MAINTENANCE REMINDER SHEET

## X758 with 48" Deck



Tractor S/N



Deck S/N

Key	Part No.	Description
1	<a href="#">AM123508</a> .....	FUEL CAP (S/N -020000)
	<a href="#">AM144789</a> .....	FUEL CAP (S/N 020001-)
2	<a href="#">GY20680</a> .....	KEY
3	<a href="#">AM133596</a> .....	IGNITION SWITCH
4	<a href="#">M806418</a> .....	ENGINE OIL FILTER
5	<a href="#">M113621</a> .....	ENGINE AIR FILTER-PRIMARY
6	<a href="#">M123378</a> .....	ENGINE AIR FILTER-SECONDARY
7	<a href="#">M801101</a> .....	FUEL FILTER
8	<a href="#">AM118013</a> .....	HEADLIGHT BULB
9	<a href="#">AM131054</a> .....	TRANSAXLE FILTER
10	<a href="#">TY25876</a> .....	BATTERY - DRY CHARGED

Key	Part No.	Description
11	<a href="#">BM20007</a> .....	MULCH KIT - 48-in. Edge Deck (S/N -040000)
	<a href="#">BM24993</a> .....	MULCHCONTROL™ KIT -48-IN. ACCEL DEEP™ DECK (S/N 040001-)
12	<a href="#">MIU800108</a> .....	FAN BELT (S/N -040000)
	<a href="#">MIU800639</a> .....	FAN BELT (S/N 040001-)
13	<a href="#">M145476</a> .....	BLADE-STANDARD 48-IN. EDGE AND ACCEL DEEP DECK
	<a href="#">M127673</a> .....	BLADE-MULCH 48-IN. EDGE AND ACCEL DEEP DECK
14	<a href="#">M163989</a> .....	BELT - 48-IN. EDGE DECK (S/N -040000)
	<a href="#">M172662</a> .....	BELT - 48-IN ACCEL DEEP DECK (S/N 040001-)
15	<a href="#">AM125172</a> .....	GAGE WHEEL 48-IN. EDGE AND ACCEL DEEP DECK
16	<a href="#">M113955</a> .....	FRONT ROLLER 48-IN. EDGE AND ACCEL DEEP DECK

### Parts Needed in First 200 Hours of Operation

Qty	Part No	Item	Qty or Capacity	Change Interval In Hours
2	<a href="#">TY26673</a>	1 gal Engine Oil PLUS-50™ II	3.4 qt	50/200
2	<a href="#">M806418</a>	Engine Oil Filter	1	50/200
15	<a href="#">TY22035</a>	1 qt Low Viscosity Hy-Gard™	7.2 qt	50/200
2	<a href="#">AM131054</a>	Transaxle Filter	1	50/200
1	<a href="#">M801101</a>	Fuel Filter	1	200
1	<a href="#">M113621</a>	Engine Air Filter-Primary	1	200
1	<a href="#">M123378</a>	Engine Air Filter-Secondary	1	200
1	<a href="#">TY24416</a>	John Deere Multi-Purpose HD Lithium Complex Grease		As Needed

### "As Needed" Parts

Qty	Part No	Item
1	<a href="#">AM136872</a>	Mower Deck Leveling Gauge
1	<a href="#">TY26288</a>	Grease Gun

### Home Maintenance Kit

Unit	Kit Number
X758	<a href="#">LG260</a>

CLICK PART NUMBER TO BUY