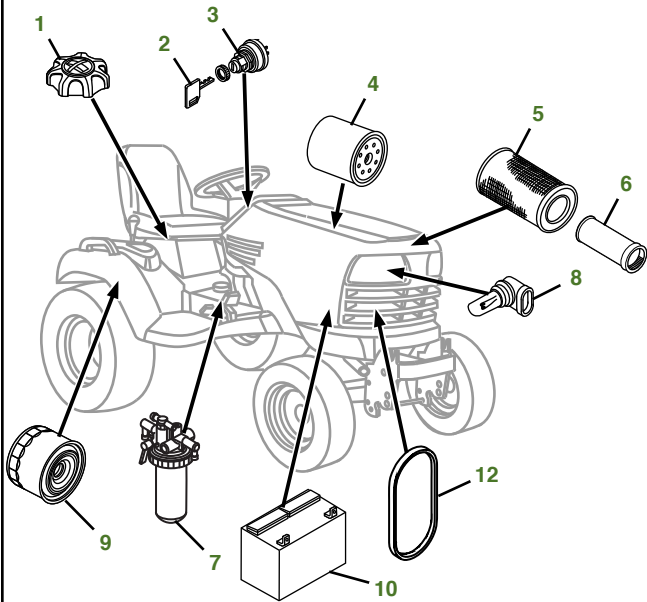
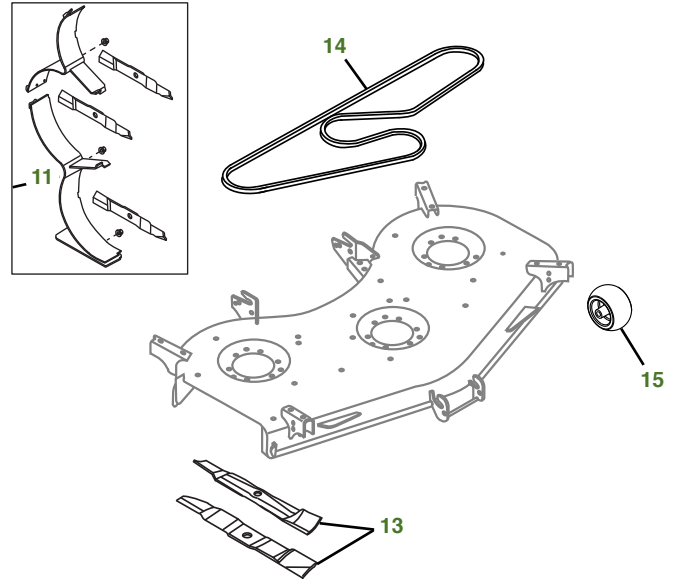


# MAINTENANCE REMINDER SHEET

## X750 with 60" High Capacity Deck



Tractor S/N



Deck S/N

Key	Part No.	Description	Key	Part No.	Description
1	<a href="#">AM123508</a> .....	FUEL CAP (S/N -020000)	10	<a href="#">TY25876</a> .....	BATTERY - DRY CHARGED
	<a href="#">AM144789</a> .....	FUEL CAP (S/N 020001-)	11	<a href="#">BM23978</a> .....	MULCH KIT - 60C DECK (S/N -030000)
2	<a href="#">CY20680</a> .....	KEY		<a href="#">BM25258</a> .....	KIT - MULCHCONTROL™ (S/N 030001-)
3	<a href="#">AM133596</a> .....	IGNITION SWITCH	12	<a href="#">MIU800108</a> .....	FAN BELT (S/N -040000)
4	<a href="#">M806418</a> .....	ENGINE OIL FILTER		<a href="#">MIU800639</a> .....	FAN BELT (S/N 040001-)
5	<a href="#">M113621</a> .....	ENGINE AIR FILTER-PRIMARY	13	<a href="#">M163983</a> .....	BLADE - STANDARD 60"
6	<a href="#">M123378</a> .....	ENGINE AIR FILTER-SECONDARY		<a href="#">M168223</a> .....	BLADE - MULCHING 60"
7	<a href="#">M801101</a> .....	FUEL FILTER	14	<a href="#">M163993</a> .....	BELT
8	<a href="#">AM118013</a> .....	HEADLIGHT BULB	15	<a href="#">TCU18744</a> .....	GAGE WHEEL (S/N -050000)
9	<a href="#">AM131054</a> .....	TRANSAXLE FILTER		<a href="#">AM148120</a> .....	GAGE WHEEL (S/N 050001-)

### Parts Needed in First 200 Hours of Operation

Qty	Part No	Item	Qty or Capacity	Change Interval In Hours
2	<a href="#">TY26673</a>	1 gal Engine Oil PLUS-50™ II	3.4 qt	50/200
2	<a href="#">M806418</a>	Engine Oil Filter	1	50/200
14	<a href="#">TY22035</a>	1 qt Low Viscosity Hy-Gard™	7.0 qt	50/200
2	<a href="#">AM131054</a>	Transaxle Filter	1	50/200
1	<a href="#">M801101</a>	Fuel Filter	1	200
1	<a href="#">M113621</a>	Engine Air Filter-Primary	1	200
1	<a href="#">M123378</a>	Engine Air Filter-Secondary	1	200
1	<a href="#">TY6341</a>	Multi Purpose SD Polyurea Grease		As Needed

### "As Needed" Parts

Qty	Part No	Item
1	<a href="#">AM136872</a>	Mower Deck Leveling Gauge
1	<a href="#">TY26288</a>	Grease Gun

### Home Maintenance Kit

Unit	Kit Number
X750	<a href="#">LG260</a>

CLICK PART NUMBER TO BUY