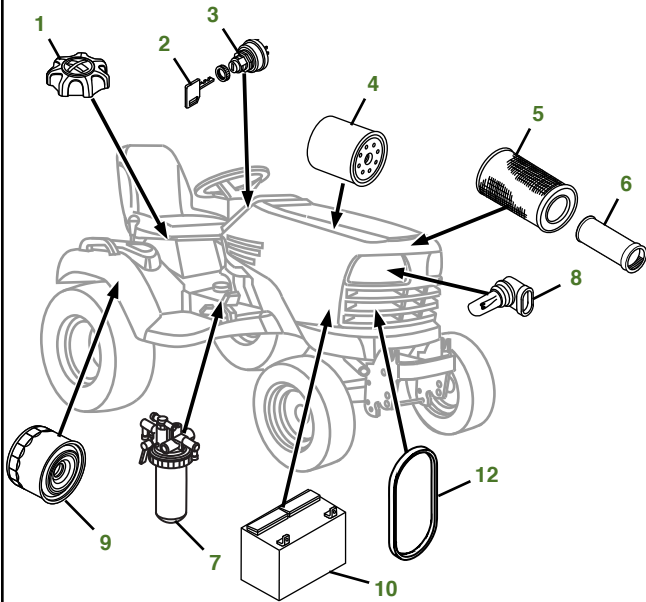
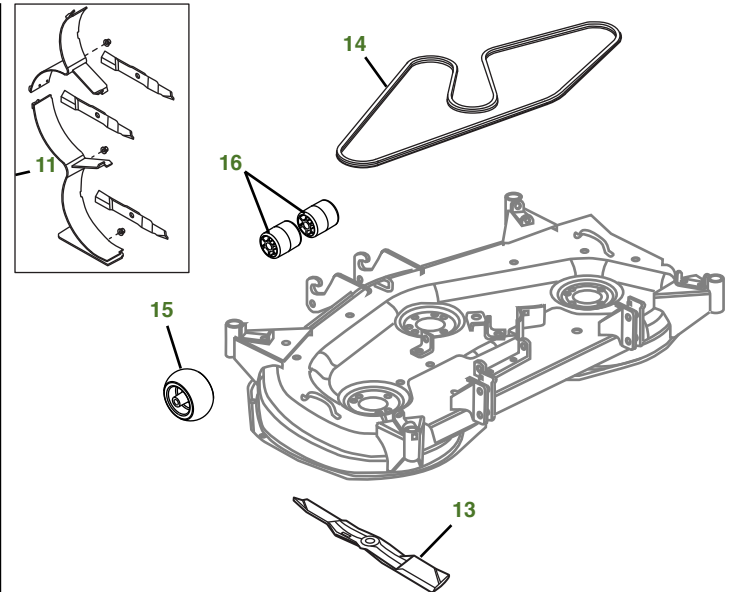


MAINTENANCE REMINDER SHEET

X750 with 48" Deck



Tractor S/N



Deck S/N

Key	Part No.	Description	Key	Part No.	Description
1	AM123508	FUEL CAP (S/N -020000)	11	BM20007	MULCH KIT - 48-IN. EDGE DECK (S/N -040000)
	AM144789	FUEL CAP (S/N 020001 -)		BM24993	MULCHCONTROL™ KIT -48-IN. ACCEL DEEP™ DECK (S/N 040001-)
2	GY20680	KEY	12	MIU800108	FAN BELT (S/N -040000)
3	AM133596	IGNITION SWITCH		MIU800639	FAN BELT (S/N 040001-)
4	M806418	ENGINE OIL FILTER	13	M145476	BLADE-STANDARD 48-IN. EDGE AND ACCEL DEEP DECK
5	M113621	ENGINE AIR FILTER-PRIMARY		M127673	BLADE-MULCH 48-IN. EDGE AND ACCEL DEEP DECK
6	M123378	ENGINE AIR FILTER-SECONDARY	14	M163989	BELT - 48-IN. EDGE DECK (S/N -040000)
7	M801101	FUEL FILTER		M172662	BELT - 48-IN ACCEL DEEP DECK (S/N 040001-)
8	AM118013	HEADLIGHT BULB	15	AM125172	GAGE WHEEL 48-IN. EDGE AND ACCEL DEEP DECK
9	AM131054	TRANSAXLE FILTER	16	M113955	FRONT ROLLER 48-IN. EDGE AND ACCEL DEEP DECK
10	TY25876	BATTERY - DRY CHARGED			

Parts Needed in First 200 Hours of Operation

Qty	Part No	Item	Qty or Capacity	Change Interval In Hours
2	TY26673	1 gal Engine Oil PLUS-50™ II	3.4 qt	50/200
2	M806418	Engine Oil Filter	1	50/200
14	TY22035	1 qt Low Viscosity Hy-Gard™	7.0 qt	50/200
2	AM131054	Transaxle Filter	1	50/200
1	M801101	Fuel Filter	1	200
1	M113621	Engine Air Filter-Primary	1	200
1	M123378	Engine Air Filter-Secondary	1	200
1	TY24416	John Deere Multi-Purpose HD Lithium Complex Grease		As Needed

"As Needed" Parts

Qty	Part No	Item
1	AM136872	Mower Deck Leveling Gauge
1	TY26288	Grease Gun

Home Maintenance Kit

Unit	Kit Number
X750	LG260

CLICK PART NUMBER TO BUY