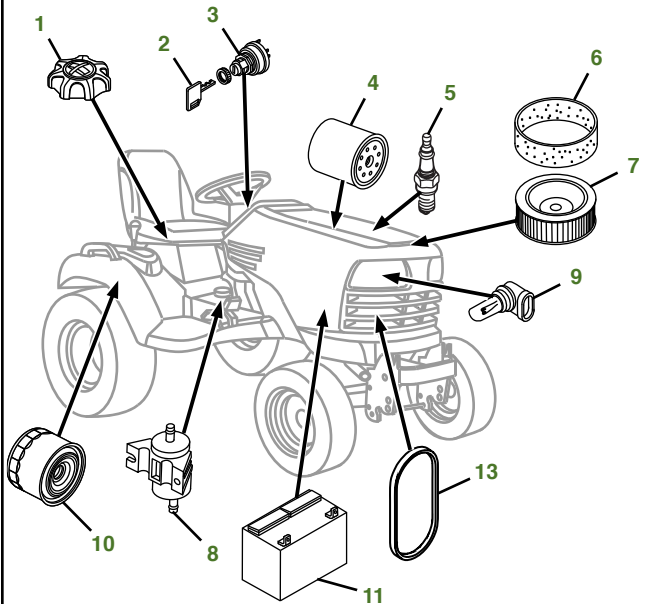
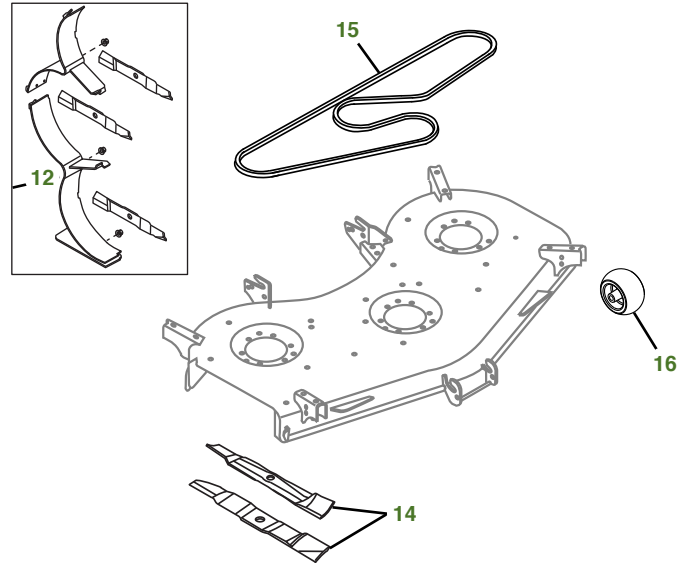


# MAINTENANCE REMINDER SHEET

## X739 with 60" High Capacity Deck



Tractor S/N



Deck S/N

Key	Part No.	Description	Key	Part No.	Description
1	<a href="#">AM141406</a>	FUEL CAP	12	<a href="#">BM23978</a>	MULCH KIT - 60 HC DECK (S/N -030000)
2	<a href="#">GY20680</a>	KEY		<a href="#">BM25258</a>	KIT - MULCHCONTROL™ (S/N 030001-)
3	<a href="#">AM133596</a>	IGNITION SWITCH	13	<a href="#">M97340</a>	FAN BELT USE WITH ENGINE MARKED FD750D-KS12, FD750D-MS12 OR FD750D-NS12
4	<a href="#">AM107423</a>	ENGINE OIL FILTER		<a href="#">M147344</a>	FAN BELT USE WITH ENGINE MARKED FD750D-HS12 OR FD750D-JS12
5	<a href="#">M138938</a>	SPARK PLUG	14	<a href="#">M163983</a>	BLADE - STANDARD 60"
6	<a href="#">M148207</a>	ENGINE AIR FILTER-FOAM		<a href="#">M168223</a>	BLADE - MULCHING 60"
7	<a href="#">M152049</a>	ENGINE AIR FILTER-PAPER	15	<a href="#">M163993</a>	BELT
8	<a href="#">AM117584</a>	FUEL FILTER	16	<a href="#">TCU18744</a>	GAGE WHEEL (S/N -050000)
9	<a href="#">AM118013</a>	HEADLIGHT BULB		<a href="#">AM148120</a>	GAGE WHEEL (S/N 050001-)
10	<a href="#">AM131054</a>	TRANSAXLE FILTER			
11	<a href="#">TY25878</a>	BATTERY - DRY CHARGED			
	<a href="#">TY25221A</a>	BATTERY - WET CHARGED			

### Parts Needed in First 200 Hours of Operation

Qty	Part No	Item	Qty or Capacity	Change Interval In Hours
6	<a href="#">TY22029</a>	1 qt Engine Oil Turf-Gard™ 10W-30	1.9 qt	8/100/200
3	<a href="#">AM107423</a>	Engine Oil Filter	1	8/100/200
16	<a href="#">TY22035</a>	1 qt Low Viscosity Hy-Gard™	7.7 qt	50/200
2	<a href="#">AM131054</a>	Transaxle Filter	1	50/200
1	<a href="#">AM117584</a>	Fuel Filter	1	200
2	<a href="#">M138938</a>	Spark Plug	2	200
1	<a href="#">M148207</a>	Engine Air Filter-Foam	1	200
1	<a href="#">M152049</a>	Engine Air Filter-Paper	1	200
1	<a href="#">TY6341</a>	Multi Purpose SD Polyurea Grease		As Needed

### "As Needed" Parts

Qty	Part No	Item
1	<a href="#">AM136872</a>	Mower Deck Leveling Gauge
1	<a href="#">TY26288</a>	Grease Gun

### Home Maintenance Kit

Unit	Kit Number
X739	<a href="#">LG244</a>

CLICK PART NUMBER TO BUY