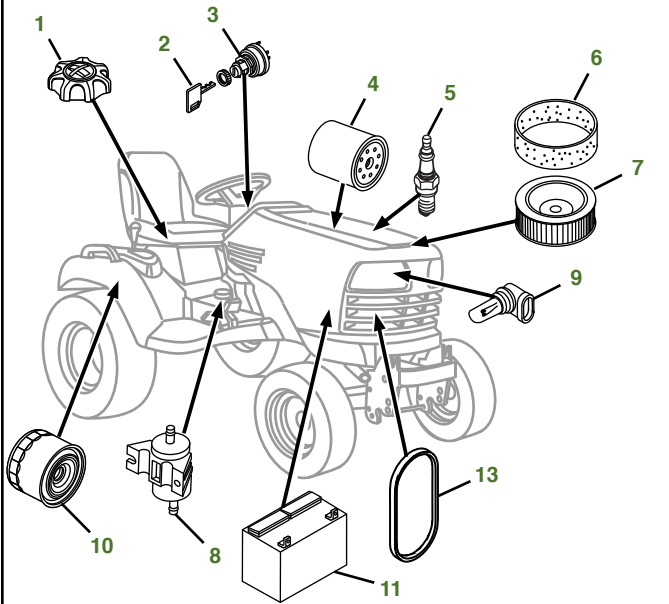
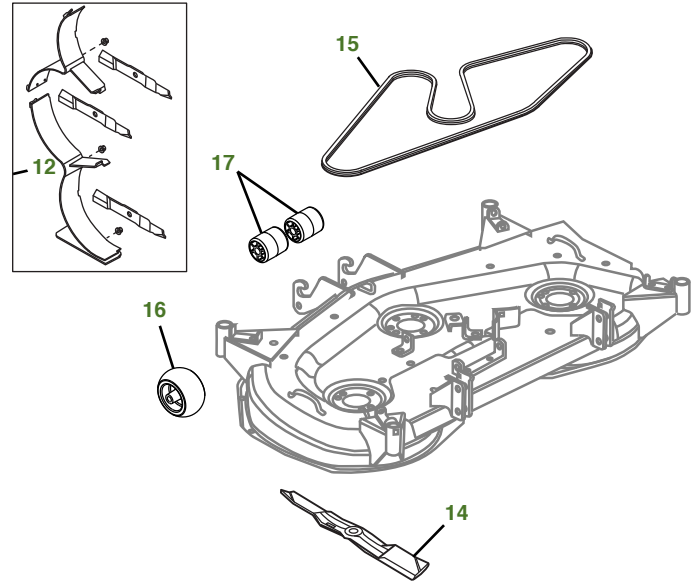


# MAINTENANCE REMINDER SHEET

## X739 with 48" Deck



Tractor S/N



Deck S/N

| Key | Part No.                 | Description             |
|-----|--------------------------|-------------------------|
| 1   | <a href="#">AM141406</a> | FUEL CAP                |
| 2   | <a href="#">CY20680</a>  | KEY                     |
| 3   | <a href="#">AM133596</a> | IGNITION SWITCH         |
| 4   | <a href="#">AM107423</a> | ENGINE OIL FILTER       |
| 5   | <a href="#">M138938</a>  | SPARK PLUG              |
| 6   | <a href="#">M148207</a>  | ENGINE AIR FILTER-FOAM  |
| 7   | <a href="#">M152049</a>  | ENGINE AIR FILTER-PAPER |
| 8   | <a href="#">AM117584</a> | FUEL FILTER             |
| 9   | <a href="#">AM118013</a> | HEADLIGHT BULB          |
| 10  | <a href="#">AM131054</a> | TRANSAXLE FILTER        |
| 11  | <a href="#">TY25878</a>  | BATTERY - DRY CHARGED   |
|     | <a href="#">TY25221A</a> | BATTERY - WET CHARGED   |

| Key | Part No.                 | Description   |
|-----|--------------------------|---|
| 12  | <a href="#">BM20007</a>  | MULCH KIT - 48-IN. EDGE DECK (S/N -040000)                              |
|     | <a href="#">BM24993</a>  | MULCHCONTROL™ KIT -48-IN. ACCEL DEEP™ DECK (S/N 040001-)                |
| 13  | <a href="#">M97340</a>   | FAN BELT USE WITH ENGINE MARKED FD750D-KS12, FD750D-MS12 OR FD750D-NS12 |
|     | <a href="#">M147344</a>  | FAN BELT USE WITH ENGINE MARKED FD750D-HS12 OR FD750D-JS12              |
| 14  | <a href="#">M145476</a>  | BLADE-STANDARD 48-IN. EDGE AND ACCEL DEEP DECK                          |
|     | <a href="#">M127673</a>  | BLADE-MULCH 48-IN. EDGE AND ACCEL DEEP DECK                             |
| 15  | <a href="#">M163989</a>  | BELT - 48-IN. EDGE DECK (S/N -040000)                                   |
|     | <a href="#">M172662</a>  | BELT - 48-IN ACCEL DEEP DECK (S/N 040001-)                              |
| 16  | <a href="#">AM125172</a> | GAGE WHEEL 48-IN. EDGE AND ACCEL DEEP DECK                              |
| 17  | <a href="#">M113955</a>  | FRONT ROLLER 48-IN. EDGE AND ACCEL DEEP DECK                            |

### Parts Needed in First 200 Hours of Operation

| Qty | Part No                  | Item   | Qty or Capacity | Change Interval In Hours |
|-----|--------------------------|--|-----------------|--------------------------|
| 6   | <a href="#">TY22029</a>  | 1 qt Engine Oil Turf-Gard™ 10W-30                  | 1.9 qt          | 8/100/200                |
| 3   | <a href="#">AM107423</a> | Engine Oil Filter                                  | 1               | 8/100/200                |
| 16  | <a href="#">TY22035</a>  | 1 qt Low Viscosity Hy-Gard™                        | 7.7 qt          | 50/200                   |
| 2   | <a href="#">AM131054</a> | Transaxle Filter                                   | 1               | 50/200                   |
| 1   | <a href="#">AM117584</a> | Fuel Filter  | 1               | 200                      |
| 2   | <a href="#">M138938</a>  | Spark Plug   | 2               | 200                      |
| 1   | <a href="#">M148207</a>  | Engine Air Filter-Foam                             | 1               | 200                      |
| 1   | <a href="#">M152049</a>  | Engine Air Filter-Paper                            | 1               | 200                      |
| 1   | <a href="#">TY24416</a>  | John Deere Multi-Purpose HD Lithium Complex Grease |                 | As Needed                |

### "As Needed" Parts

| Qty | Part No                  | Item                      |
|-----|--------------------------|---------------------------|
| 1   | <a href="#">AM136872</a> | Mower Deck Leveling Gauge |
| 1   | <a href="#">TY26288</a>  | Grease Gun                |

### Home Maintenance Kit

| Unit | Kit Number            |
|------|-----------------------|
| X739 | <a href="#">LG244</a> |

CLICK PART NUMBER TO BUY