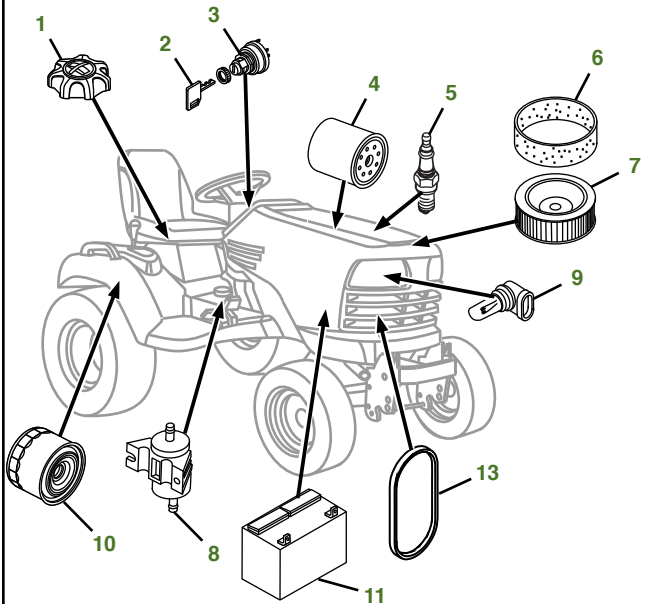
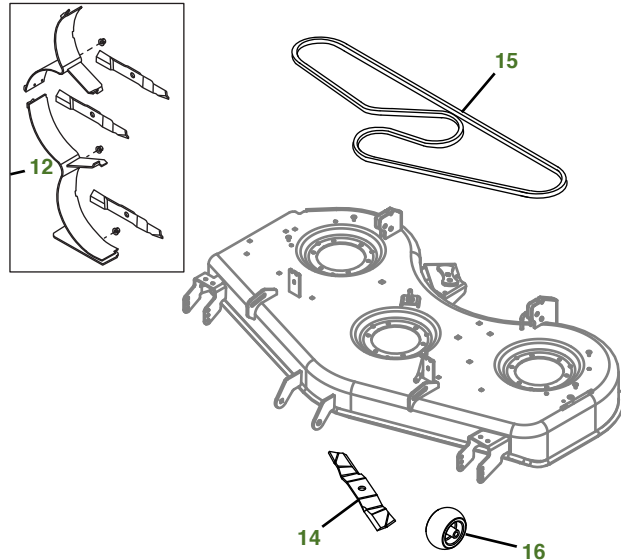


MAINTENANCE REMINDER SHEET

X728 with 60D DECK



Tractor S/N



Deck S/N

Key	Part No.	Description	Key	Part No.	Description
1	AM137724	FUEL CAP (S/N -060000)	10	AM131054	TRANSAXLE FILTER
	AM141406	FUEL CAP (S/N 060001-)	11	TY25221	BATTERY
2	AM131841	KEY	12	TCB10953	MULCH KIT
3	TCA22740	IGNITION SWITCH	13	M147344	FAN BELT
4	AM107423	ENGINE OIL FILTER		M153381	FAN BELT (OPTIONAL)
5	M138938	SPARK PLUG	14	TCU15881	BLADE - HI LIFT
6	M148207	ENGINE AIR FILTER-FOAM		M168223	BLADE - MULCHING
7	M152049	ENGINE AIR FILTER-PAPER	15	M120381	BELT
8	AM117584	FUEL FILTER	16	AM136720	KIT - GAGE WHEEL
9	R136239	HEADLIGHT BULB			

Parts Needed in First 200 Hours of Operation

Qty	Part No	Item	Qty or Capacity	Change Interval In Hours
6	TY22029	1 qt Engine Oil Turf-Gard™ 10W-30	1.9 qt	8/100/200
3	AM107423	Engine Oil Filter	1	8/100/200
7	TY22035	1 qt Low Viscosity Hy-Gard™	6 qt (AWS) 7 qt (ZWS)	200
1	AM131054	Transaxle Filter	1	200
2	AM117584	Fuel Filter	1	50/200
2	M138938	Spark Plug	2	200
1	M148207	Engine Air Filter-Foam	1	200
1	M152049	Engine Air Filter-Paper	1	200
1	TY6341	John Deere Multi-Purpose SD Polyurea Grease		As Needed

"As Needed" Parts

Qty	Part No	Item
1	AM136872	Mower Deck Leveling Gauge
1	TY26288	Grease Gun

Home Maintenance Kit

Unit	Kit Number
X728	LG244

CLICK PART NUMBER TO BUY