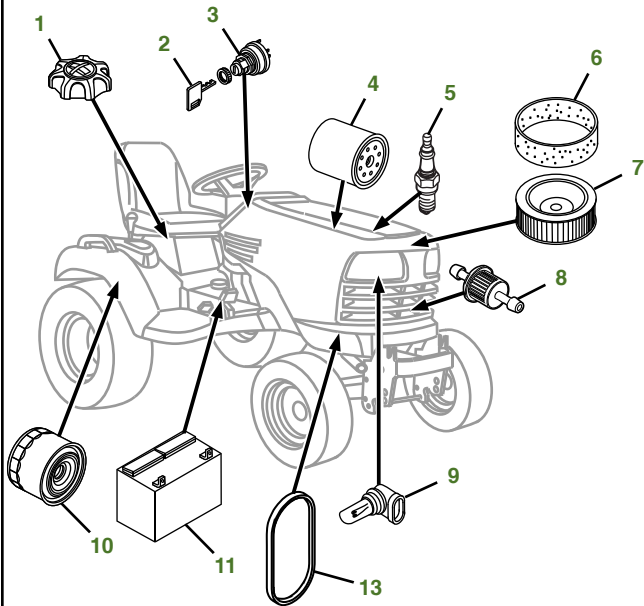
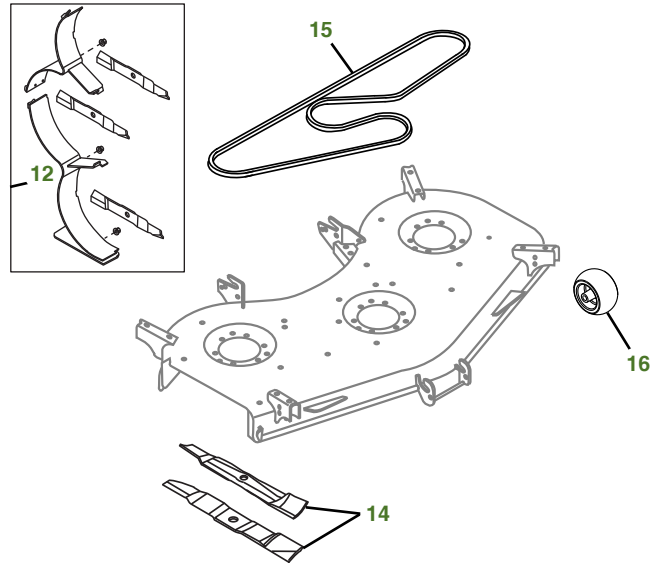


MAINTENANCE REMINDER SHEET

X710 with 60" High Capacity Deck



Tractor S/N



Deck S/N

Key	Part No.	Description
1	AM141406	FUEL CAP
2	GY20680	KEY
3	AM133596	IGNITION SWITCH
4	AM107423	ENGINE OIL FILTER
5	M138938	SPARK PLUG
6	M148207	ENGINE AIR FILTER-FOAM
7	M152049	ENGINE AIR FILTER-PAPER
8	AM136739	FUEL FILTER-IN-LINE
9	AM118013	HEADLIGHT BULB
10	AM131054	TRANSAXLE FILTER

Key	Part No.	Description
11	TY25878	BATTERY - DRY CHARGED
	TY25221A	BATTERY - WET CHARGED
12	BM23978	MULCH KIT - 60 HC DECK (S/N -030000)
	BM25258	KIT - MULCHCONTROL™ (S/N 030001-)
13	M97340	FAN BELT
14	M163983	BLADE - STANDARD 60"
	M168223	BLADE - MULCHING 60"
15	M163993	BELT
16	TCU18744	GAGE WHEEL (S/N -050000)
	AM148120	GAGE WHEEL (S/N 050001-)

Parts Needed in First 200 Hours of Operation

Qty	Part No	Item	Qty or Capacity	Change Interval In Hours
6	TY22029	1 qt Engine Oil Turf-Gard™ 10W-30	1.9 qt	8/100/200
3	AM107423	Engine Oil Filter	1	8/100/200
14	TY22035	1 qt Low Viscosity Hy-Gard™	7.0 qt	50/200
2	AM131054	Transaxle Filter	1	50/200
1	AM136739	Fuel Filter-In-Line	1	200
2	M138938	Spark Plug	2	200
1	M148207	Engine Air Filter-Foam	1	200
1	M152049	Engine Air Filter-Paper	1	200
1	TY6341	Multi Purpose SD Polyurea Grease		As Needed

"As Needed" Parts

Qty	Part No	Item
1	AM136872	Mower Deck Leveling Gauge
1	TY26288	Grease Gun

Home Maintenance Kit

Unit	Kit Number
X710	LG245

CLICK PART NUMBER TO BUY