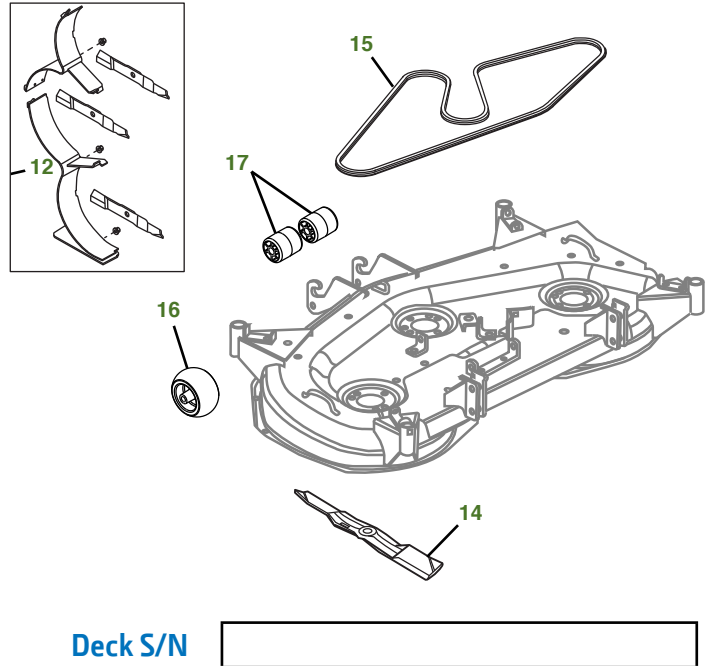
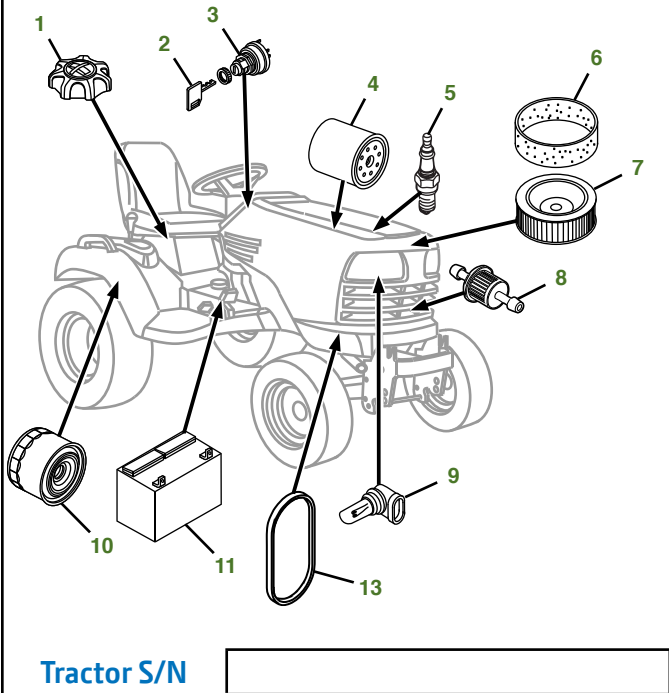


# MAINTENANCE REMINDER SHEET

## X710 with 48" Deck



Tractor S/N

Deck S/N

Key	Part No.	Description
1	<a href="#">AM141406</a>	FUEL CAP
2	<a href="#">CY20680</a>	KEY
3	<a href="#">AM133596</a>	IGNITION SWITCH
4	<a href="#">AM107423</a>	ENGINE OIL FILTER
5	<a href="#">M138938</a>	SPARK PLUG
6	<a href="#">M148207</a>	ENGINE AIR FILTER-FOAM
7	<a href="#">M152049</a>	ENGINE AIR FILTER-PAPER
8	<a href="#">AM136739</a>	FUEL FILTER-IN-LINE
9	<a href="#">AM118013</a>	HEADLIGHT BULB
10	<a href="#">AM131054</a>	TRANSAXLE FILTER
11	<a href="#">TY25878</a>	BATTERY - DRY CHARGED
	<a href="#">TY25221A</a>	BATTERY - WET CHARGED

Key	Part No.	Description
12	<a href="#">BM20007</a>	MULCH KIT - 48-in. Edge Deck (S/N -040000)
	<a href="#">BM24993</a>	MulchControl™ KIT -48-in. Accel Deep™ Deck (S/N 040001-)
13	<a href="#">M97340</a>	FAN BELT
14	<a href="#">M145476</a>	BLADE-STANDARD 48-IN. EDGE AND ACCEL DEEP DECK
	<a href="#">M127673</a>	BLADE-MULCH 48-IN. EDGE AND ACCEL DEEP DECK
15	<a href="#">M163989</a>	BELT - 48-IN. EDGE DECK (S/N -040000)
	<a href="#">M172662</a>	BELT - 48-IN ACCEL DEEP DECK (S/N 040001-)
16	<a href="#">AM125172</a>	GAGE WHEEL 48-IN. EDGE AND ACCEL DEEP DECK
17	<a href="#">M113955</a>	FRONT ROLLER 48-IN. EDGE AND ACCEL DEEP DECK

### Parts Needed in First 200 Hours of Operation

Qty	Part No	Item	Qty or Capacity	Change Interval In Hours
6	<a href="#">TY22029</a>	1 qt Engine Oil Turf-Gard™ 10W-30	1.9 qt	8/100/200
3	<a href="#">AM107423</a>	Engine Oil Filter	1	8/100/200
14	<a href="#">TY22035</a>	1 at Low Viscosity Hy-Gard™	7.0 qt	50/200
2	<a href="#">AM131054</a>	Transaxle Filter	1	50/200
1	<a href="#">AM136739</a>	Fuel Filter-In-Line	1	200
2	<a href="#">M138938</a>	Spark Plug	2	200
1	<a href="#">M148207</a>	Engine Air Filter-Foam	1	200
1	<a href="#">M152049</a>	Engine Air Filter-Paper	1	200
1	<a href="#">TY24416</a>	John Deere Multi-Purpose HD Lithium Complex Grease		As Needed

### "As Needed" Parts

Qty	Part No	Item
1	<a href="#">AM136872</a>	Mower Deck Leveling Gauge
1	<a href="#">TY26288</a>	Grease Gun

### Home Maintenance Kit

Unit	Kit Number
X710	<a href="#">LG245</a>

CLICK PART NUMBER TO BUY