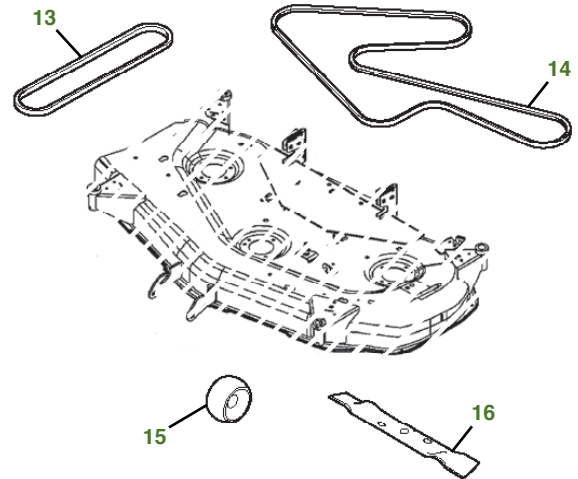
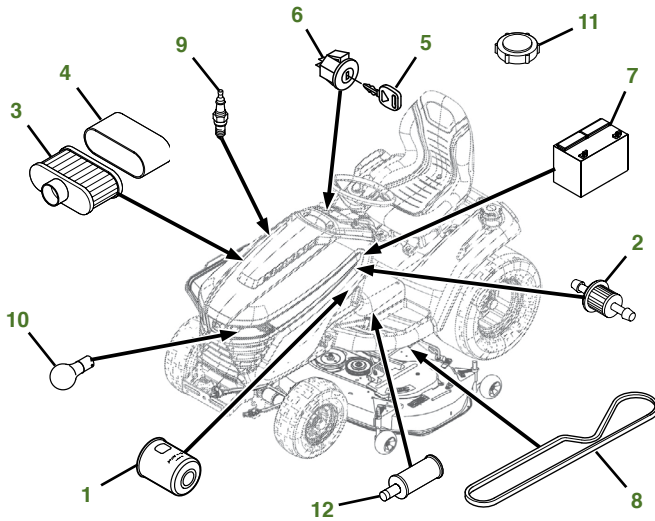


MAINTENANCE REMINDER SHEET

X590 with 54" Deck



Tractor S/N

Deck S/N

Key	Part No.	Description	Key	Part No.	Description
1	AM125424	ENGINE OIL FILTER		M169485	BELT-MOWER-PRIMARY DRIVE (S/N 110001-)(54-in. Accel Deep™ Deck)
2	AM116304	FUEL FILTER-IN-LINE		M154960	BELT-MOWER-SECONDARY DRIVE (S/N -110000) (54-in. Edge Deck)
3	MIU12555	AIR FILTER	14	M169486	BELT-MOWER-SECONDARY DRIVE (S/N 110001-) (54-in. Accel Deep™ Deck)
4	MIU12554	PRECLEANER		M111489	GAGE WHEEL
5	GY20680	KEY	15	M152726	BLADE-HIGH LIFT 54-in. Edge Deck
6	AM133597	IGNITION SWITCH	16	M143520	BLADE-STANDARD 54-IN EDGE DECK AND 54-IN ACCEL DEEP DECK
7	TY25876	BATTERY		M145516	BLADE-MULCH 54-IN EDGE DECK
8	M151276	BELT-TRACTION DRIVE (S/N -110000)		M177791	BLADE-MULCH 54-IN ACCEL DEEP DECK
	M174585	BELT-TRACTION DRIVE (S/N 110001-)		BM20827	KIT-MULCH (54-in. Edge Deck)
9	M805853	SPARK PLUG		BM24994	MulchControl™ KIT (54-in. Accel Deep™ Deck)
10	AD2062R	HEADLIGHT BULB			
11	AM141406	FUEL CAP			
12	MIA881446	TRANSAXLE OIL FILTER			
13	M154897	BELT-MOWER-PRIMARY DRIVE (S/N -110000)(54-in. Edge Deck)			

Parts Needed in First 250 Hours of Operation

Qty	Part No	Item	Qty or Capacity	Change Interval In Hours
7	TY22029	1 qt Engine Oil Turf-Gard™ 10W30	2.2 qt	8/100/200
3	AM125424	Engine Oil Filter	1	8/100/200
2	MIU12555	Air Filter	1	100/200
2	MIU12554	Precleaner	1	100/200
2	AM116304	Fuel Filter	1	100/200
2	MIA881446	Transaxle Oil Filter	1	50/200
3	TY22000	1 gal JD Low Viscosity Hy-Gard™	5.6 qt	50/200
4	M805853	Spark Plug	2	100/200
1	TY24416	JD Multi Purpose HD Lithium Complex Grease		As Needed

"As Needed" Parts

Qty	Part No	Item
1	AM130907	Mower Deck Leveling Gauge
1	TY26518	Grease Gun

Home Maintenance Kit

Unit	Kit Number
X590	LG265

CLICK PART NUMBER TO BUY