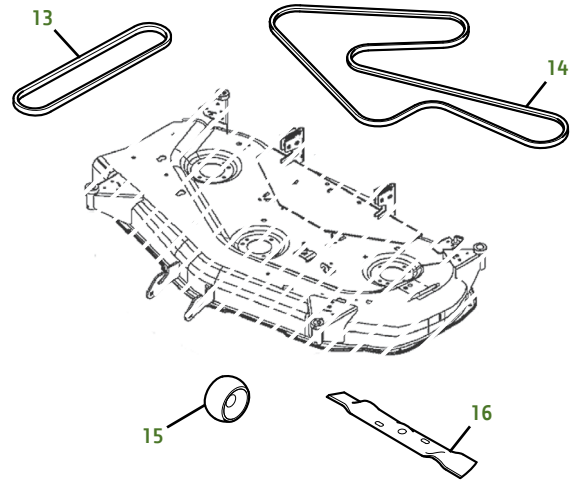
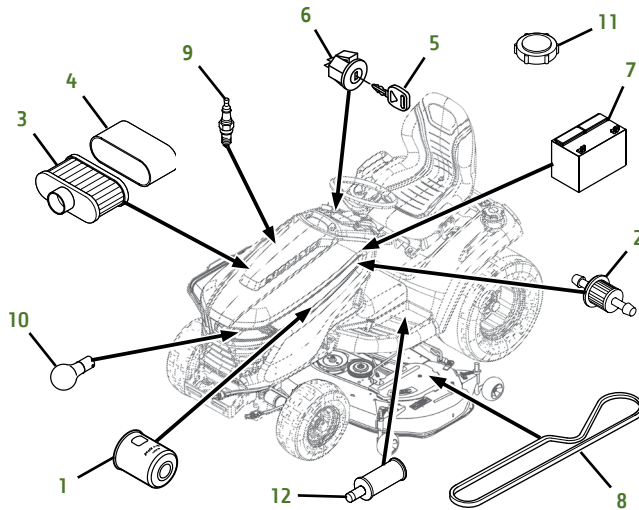


# MAINTENANCE REMINDER SHEET

## X590 with 48" Deck



Tractor S/N

Deck S/N

Key	Part No.	Description	Key	Part No.	Description
1	<a href="#">AM125424</a>	ENGINE OIL FILTER	12	<a href="#">MIA881446</a>	TRANSAXLE OIL FILTER
2	<a href="#">AM116304</a>	FUEL FILTER-IN-LINE	13	<a href="#">M154897</a>	BELT-MOWER-PRIMARY DRIVE (S/N -110000)(48-in. Edge Deck)
3	<a href="#">MIU12555</a>	AIR FILTER		<a href="#">M169485</a>	BELT-MOWER-PRIMARY DRIVE (S/N 110001-)(48-in. Accel Deep™ Deck)
4	<a href="#">MIU12554</a>	PRECLEANER	14	<a href="#">M154960</a>	BELT-MOWER-SECONDARY (S/N -110000)
5	<a href="#">GY20680</a>	KEY		<a href="#">M169486</a>	BELT-MOWER-SECONDARY (S/N 110001-)
6	<a href="#">AM133597</a>	IGNITION SWITCH	15	<a href="#">M111489</a>	GAGE WHEEL
7	<a href="#">TY25876</a>	BATTERY	16	<a href="#">M145476</a>	BLADE-STANDARD 48-IN. EDGE AND ACCEL DEEP DECK
8	<a href="#">M151276</a>	BELT-TRACTION DRIVE (S/N -110000)		<a href="#">M127673</a>	BLADE-MULCH 48-IN. EDGE AND ACCEL DEEP DECK
	<a href="#">M174585</a>	BELT-TRACTION DRIVE (S/N 110001-)		<a href="#">BM20007</a>	KIT-MULCH (48-in. Edge Deck)
9	<a href="#">M805853</a>	SPARK PLUG			
10	<a href="#">AD2062R</a>	HEADLIGHT BULB			
11	<a href="#">AM141406</a>	FUEL CAP			

### Parts Needed in First 250 Hours of Operation

Qty	Part No	Item	Qty or Capacity	Change Interval In Hours
7	<a href="#">TY22029</a>	1 qt Engine Oil Turf-Gard™ 10W30	2.2 qt	8/100/200
3	<a href="#">AM125424</a>	Engine Oil Filter	1	8/100/200
2	<a href="#">MIU12555</a>	Air Filter	1	100/200
2	<a href="#">MIU12554</a>	Precleaner	1	100/200
2	<a href="#">AM116304</a>	Fuel Filter	1	100/200
2	<a href="#">MIA881446</a>	Transaxle Oil Filter	1	50/200
3	<a href="#">TY22000</a>	1 gal JD Low Viscosity Hy-Gard™	5.6 qt	50/200
4	<a href="#">M805853</a>	Spark Plug	2	100/200
1	<a href="#">TY24416</a>	JD Multi Purpose HD Lithium Complex Grease		As Needed

### "As Needed" Parts

Qty	Part No	Item
1	<a href="#">AM130907</a>	Mower Deck Leveling Gauge
1	<a href="#">TY26518</a>	Grease Gun

### Home Maintenance Kit

Unit	Kit Number
X590	<a href="#">LG265</a>

CLICK PART NUMBER TO BUY