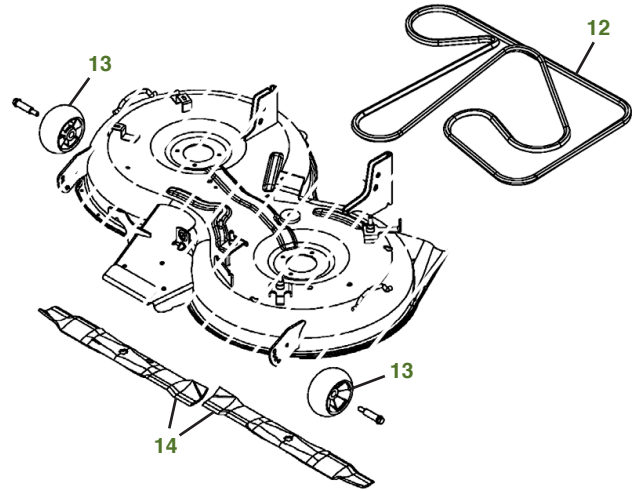
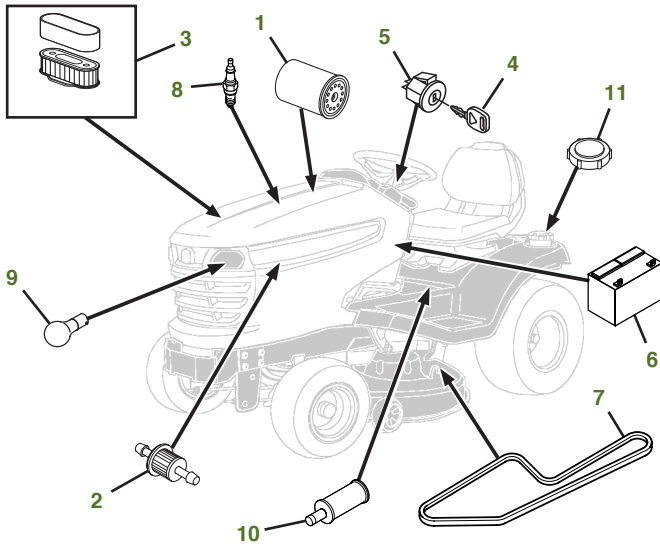


MAINTENANCE REMINDER SHEET

X540 with 42" Mulch Deck



Tractor S/N

Deck S/N

Key	Part No.	Description	Key	Part No.	Description
1	AM107423	ENGINE OIL FILTER	9	AD2062R	HEADLIGHT BULB
2	AM116304	FUEL FILTER-IN-LINE	10	MIA881446	TRANSAXLE FILTER
3	MIU10905	AIR FILTER-FOAM	11	AM137724	FUEL CAP (S/N -060000)
	MIU10906	AIR FILTER-PAPER		AM141406	FUEL CAP (S/N 060001-)
4	GY20680	KEY	12	M153160	BELT-MOWER
5	AM133596	IGNITION SWITCH (S/N -020000)	13	M111489	GAGE WHEEL
	AM133597	IGNITION SWITCH (S/N 020001-)	14	AM140332	KIT-LOW LIFT 42"
6	TY25876	BATTERY		AM140973	KIT-MULCHING 42"
7	M151276	BELT-TRAC DRIVE		AM140329	KIT-HI PERF MULCH 42"
8	M805853	SPARK PLUG		BM21816	KIT-MULCHING ATTACHMENT 42"

Parts Needed in First 250 Hours of Operation

Qty	Part No	Item	Qty or Capacity	Change Interval In Hours
7	TY22029	1 qt Engine Oil Turf-Gard™ 10W30	2.1 qt	8/100/200
3	AM107423	Engine Oil Filter	1	8/100/200
2	MIA881446	Transaxle Filter	1	50/200
12	TY22035	1 qt Low Viscosity Hy-Gard™	5.6 qt	50/200
2	MIU10905	Air Filter-Foam	1	100/200
2	MIU10906	Air Filter-Paper	1	100/200
2	AM116304	Fuel Filter-In-Line	1	100/200
4	M805853	Spark Plug	2	100/200
2	TY6341	JD Multi Purpose SD Polyurea Grease		As Needed

"As Needed" Parts

Qty	Part No	Item
1	AM130907	Mower Deck Leveling Gauge
1	TY26518	Grease Gun

Home Maintenance Kit

Unit	Kit Number
X540	LG257

CLICK PART NUMBER TO BUY