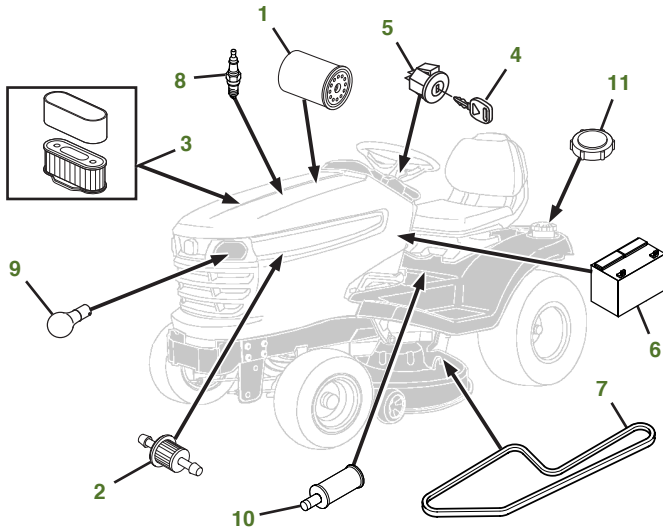
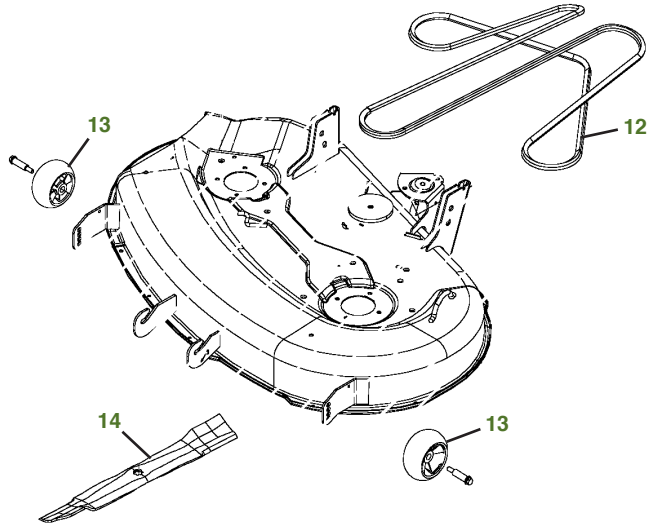


# MAINTENANCE REMINDER SHEET

## X540 with 42" Edge Deck



Tractor S/N



Deck S/N

Key	Part No.	Description	Key	Part No.	Description
1	<a href="#">AM107423</a>	ENGINE OIL FILTER	9	<a href="#">AD2062R</a>	HEADLIGHT BULB
2	<a href="#">AM116304</a>	FUEL FILTER-IN-LINE	10	<a href="#">MIA881446</a>	TRANSAXLE FILTER
3	<a href="#">MIU10905</a>	AIR FILTER-FOAM	11	<a href="#">AM137724</a>	FUEL CAP (S/N -060000)
	<a href="#">MIU10906</a>	AIR FILTER-PAPER		<a href="#">AM141406</a>	FUEL CAP (S/N 060001-)
4	<a href="#">GY20680</a>	KEY	12	<a href="#">M154621</a>	BELT-MOWER
5	<a href="#">AM133596</a>	IGNITION SWITCH (S/N -020000)	13	<a href="#">M111489</a>	GAGE WHEEL
	<a href="#">AM133597</a>	IGNITION SWITCH (S/N 020001-)	14	<a href="#">AM141031</a>	KIT-3N1 BLADE 42"
6	<a href="#">TY25876</a>	BATTERY		<a href="#">AM141032</a>	KIT-SIDE DISCHARGE 42"
7	<a href="#">M151276</a>	BELT-TRAC DRIVE		<a href="#">AM141034</a>	KIT-BAGGING 42"
8	<a href="#">M805853</a>	SPARK PLUG		<a href="#">AM141033</a>	KIT-MULCHING 42"
				<a href="#">BM21816</a>	KIT-MULCHING ATTACHMENT 42"

### Parts Needed in First 250 Hours of Operation

Qty	Part No	Item	Qty or Capacity	Change Interval In Hours
7	<a href="#">TY22029</a>	1 qt Engine Oil Turf-Gard™ 10W30	2.1 qt	8/100/200
3	<a href="#">AM107423</a>	Engine Oil Filter	1	8/100/200
2	<a href="#">MIA881446</a>	Transaxle Filter	1	50/200
12	<a href="#">TY22035</a>	1 qt Low Viscosity Hy-Gard™	5.6 qt	50/200
2	<a href="#">MIU10905</a>	Air Filter-Foam	1	100/200
2	<a href="#">MIU10906</a>	Air Filter-Paper	1	100/200
2	<a href="#">AM116304</a>	Fuel Filter-In-Line	1	100/200
4	<a href="#">M805853</a>	Spark Plug	2	100/200
2	<a href="#">TY6341</a>	JD Multi Purpose SD Polyurea Grease		As Needed

### "As Needed" Parts

Qty	Part No	Item
1	<a href="#">AM130907</a>	Mower Deck Leveling Gauge
1	<a href="#">TY26518</a>	Grease Gun

### Home Maintenance Kit

Unit	Kit Number
X540	<a href="#">LG257</a>

CLICK PART NUMBER TO BUY