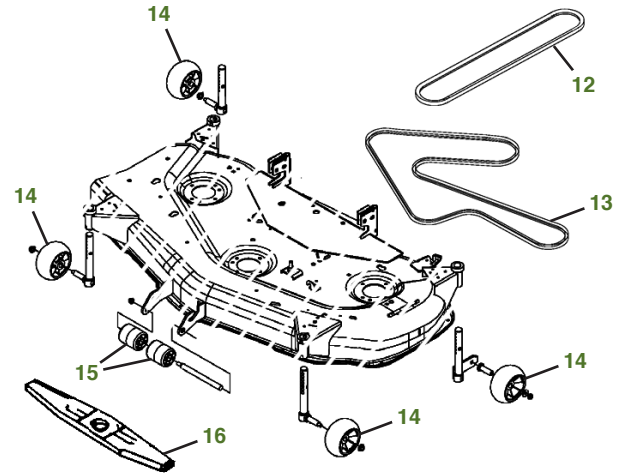
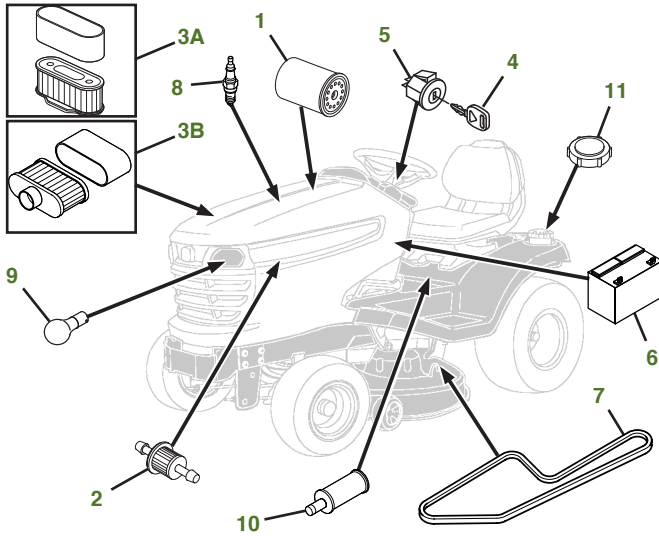


# MAINTENANCE REMINDER SHEET

## X534 with 54" X Deck



Tractor S/N

Deck S/N

Key	Part No.	Description	Key	Part No.	Description
1	<a href="#">AM107423</a> .....	ENGINE OIL FILTER-ENG FH721V	8	<a href="#">M805853</a> .....	SPARK PLUG
	<a href="#">AM125424</a> .....	ENGINE OIL FILTER-ENG FS730V	9	<a href="#">AD2062R</a> .....	HEADLIGHT BULB
2	<a href="#">AM116304</a> .....	FUEL FILTER-IN-LINE	10	<a href="#">MIA881446</a> .....	TRANSAXLE FILTER
3A	<a href="#">M140295</a> .....	AIR FILTER-FOAM-ENG FH721V	11	<a href="#">AM137724</a> .....	FUEL CAP-ENG FH721V
	<a href="#">M150949</a> .....	AIR FILTER-PAPER-ENG FH721V		<a href="#">AM141406</a> .....	FUEL CAP-ENG FS730V
3B	<a href="#">MIU12554</a> .....	AIR FILTER-FOAM-ENG FS730V	12	<a href="#">M172924</a> .....	BELT-MOWER-PRIMARY
	<a href="#">MIU12555</a> .....	AIR FILTER-PAPER-ENG FS730V	13	<a href="#">M154960</a> .....	BELT-MOWER-SECONDARY
4	<a href="#">CY20680</a> .....	KEY	14	<a href="#">M111489</a> .....	GAGE WHEEL
5	<a href="#">AM133596</a> .....	IGNITION SWITCH (S/N -020000)	15	<a href="#">M113955</a> .....	FRONT ROLLER
	<a href="#">AM133597</a> .....	IGNITION SWITCH (S/N 020001-)	16	<a href="#">M143520</a> .....	BLADE-SIDE DISCHARGE 54"
6	<a href="#">TY25876</a> .....	BATTERY		<a href="#">M145516</a> .....	BLADE-MULCHING 54"
7	<a href="#">M151276</a> .....	BELT-TRAC DRIVE		<a href="#">M152726</a> .....	BLADE-HIGH LIFT 54"
				<a href="#">BM20827</a> .....	KIT-MULCHING ATTACHMENT 54"

### Parts Needed in First 250 Hours of Operation

Qty	Part No	Item	Qty or Capacity	Change Interval In Hours
7	<a href="#">TY22029</a>	1 qt Engine Oil Turf-Gard™ 10W30	2.2 qt	8/100/200
3	<a href="#">AM107423</a> or <a href="#">AM125424</a>	Engine Oil Filter	1	8/100/200
2	<a href="#">MIA881446</a>	Transaxle Filter	1	50/200
12	<a href="#">TY22035</a>	1 qt Low Viscosity Hy-Gard™	5.6	50/200
2	<a href="#">M140295</a> or <a href="#">MIU12554</a>	Air Filter-Foam	1	100/200
2	<a href="#">M150949</a> or <a href="#">MIU12555</a>	Air Filter-Paper	1	100/200
2	<a href="#">AM116304</a>	Fuel Filter-In-Line	1	100/200
4	<a href="#">M805853</a>	Spark Plug	2	100/200
2	<a href="#">TY6341</a>	JD Multi Purpose SD Polyurea Grease		As Needed

### "As Needed" Parts

Qty	Part No	Item
1	<a href="#">AM130907</a>	Mower Deck Leveling Gauge
1	<a href="#">TY26518</a>	Grease Gun

### Home Maintenance Kit

Unit	Kit Number
X534	<a href="#">LG249</a> (Eng FH721V) <a href="#">LG265</a> (Eng FS730V)

CLICK PART NUMBER TO BUY