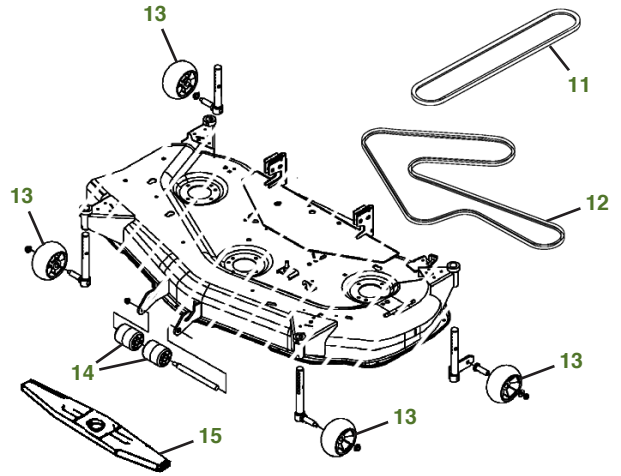
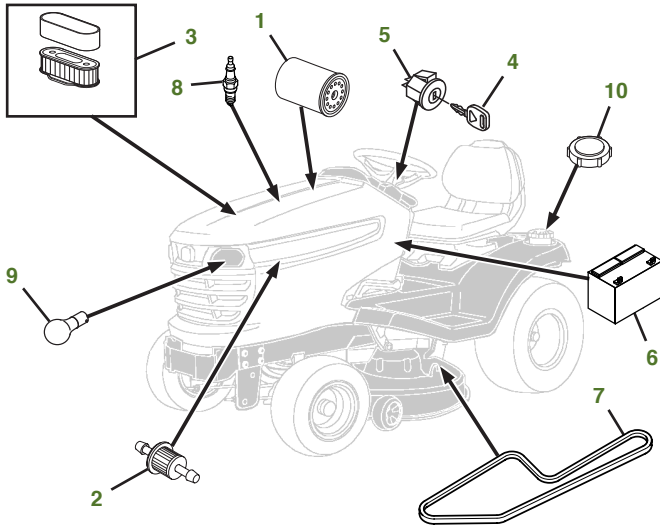


MAINTENANCE REMINDER SHEET

X520 with 48" X Deck (Rotatable Wheels)



Tractor S/N

Deck S/N

Key	Part No.	Description	Key	Part No.	Description
1	AM107423	ENGINE OIL FILTER	8	M805853	SPARK PLUG
2	AM116304	FUEL FILTER-IN-LINE	9	AD2062R	HEADLIGHT BULB
3	MIU10905	AIR FILTER-FOAM	10	AM137724	FUEL CAP
	MIU10906	AIR FILTER-PAPER	11	M172924	BELT-MOWER-PRIMARY
4	GY20680	KEY	12	M154958	BELT-MOWER-SECONDARY
5	AM133596	IGNITION SWITCH (S/N -020000)	13	M111489	GAGE WHEEL
	AM133597	IGNITION SWITCH (S/N 020001-)	14	M113955	FRONT ROLLER
6	TY25876	BATTERY	15	M145476	BLADE-SIDE DISCHARGE 48"
7	M151276	BELT-TRAC DRIVE		M127673	BLADE-MULCHING 48"
				BM20007	KIT-MULCHING ATTACHMENT 48"

Parts Needed in First 250 Hours of Operation

Qty	Part No	Item	Qty or Capacity	Change Interval In Hours
7	TY22029	1 qt Engine Oil Turf-Gard™ 10W30	2.1 qt	8/100/200
3	AM107423	Engine Oil Filter	1	8/100/200
2	MIU10905	Air Filter-Foam	1	100/200
2	MIU10906	Air Filter-Paper	1	100/200
2	AM116304	Fuel Filter-In-Line	1	100/200
4	M805853	Spark Plug	2	100/200
2	TY6341	JD Multi Purpose SD Polyurea Grease		As Needed

"As Needed" Parts

Qty	Part No	Item
1	AM130907	Mower Deck Leveling Gauge
1	TY26518	Grease Gun

Home Maintenance Kit

Unit	Kit Number
X520	LG257

CLICK PART NUMBER TO BUY