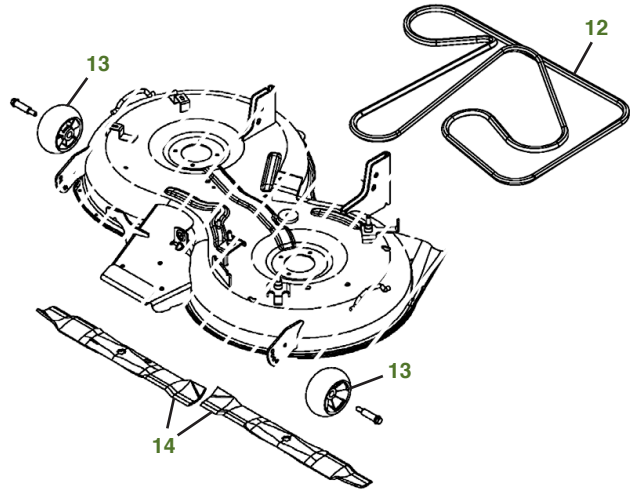
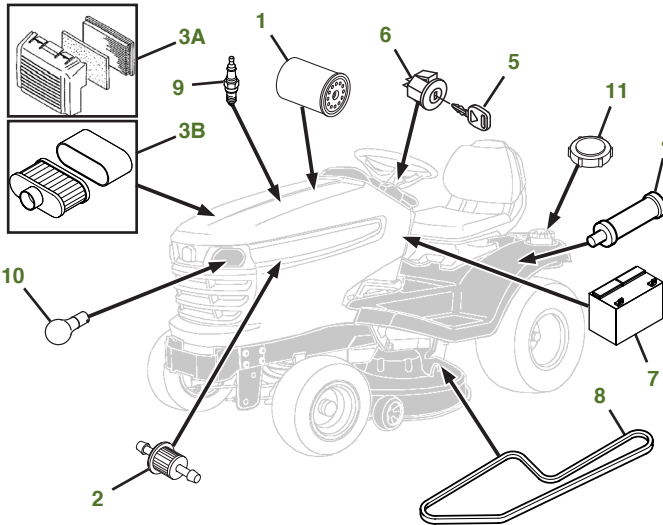


MAINTENANCE REMINDER SHEET

X360 with 42" Mulch Deck



Tractor S/N

Deck S/N

Key	Part No.	Description	Key	Part No.	Description
1	AM107423	ENGINE OIL FILTER-ENG FH661V	7	TY25878	BATTERY (S/N -250000)
	AM125424	ENGINE OIL FILTER-ENG FS651V		TY25221	BATTERY (S/N 250001-)
2	AM116304	FUEL FILTER-IN-LINE	8	M144044	BELT-TRACTION DRIVE
3A	M140295	AIR FILTER-FOAM-ENG FH661V	9	M805853	SPARK PLUG
	M150949	AIR FILTER-PAPER-ENG FH661V	10	AD2062R	HEADLIGHT BULB
3B	MIU12554	AIR FILTER-FOAM-ENG FS651V	11	AM137724	FUEL CAP-ENG FH661V
	MIU12555	AIR FILTER-PAPER-ENG FS651V		AM141406	FUEL CAP-ENG FS651V
4	MIU800986	TRANSMISSION FILTER	12	M153160	BELT-MOWER
5	GY20680	KEY	13	M111489	GAGE WHEEL
6	AM133597	IGNITION SWITCH	14	AM140973	KIT-MULCHING 42"

Parts Needed in First 250 Hours of Operation

Qty	Part No	Item	Qty or Capacity	Change Interval In Hours
7	TY22029	1 qt Engine Oil Turf-Gard™ 10W30	2.1 qt	8/100/200
3	AM107423 or AM125424	Engine Oil Filter	1	8/100/200
1	TY22000	1 gal Hy-Gard™ Low Vis Oil	3 qt	200
1	MIU800986	Transmission Filter	1	200
2	M140295 or MIU12554	Air Filter-Foam	1	100/200
2	M150949 or MIU12555	Air Filter-Paper	1	100/200
2	AM116304	Fuel Filter-In-Line	1	100/200
4	M805853	Spark Plug	2	100/200
2	TY6341	JD Multi Purpose SD Polyurea Grease		As Needed

"As Needed" Parts

Qty	Part No	Item
1	AM130907	Mower Deck Leveling Gauge
1	TY26518	Grease Gun

Home Maintenance Kit

Unit	Kit Number
X360	LG249 (Eng FH661V) LG265 (Eng FS651V)

CLICK PART NUMBER TO BUY