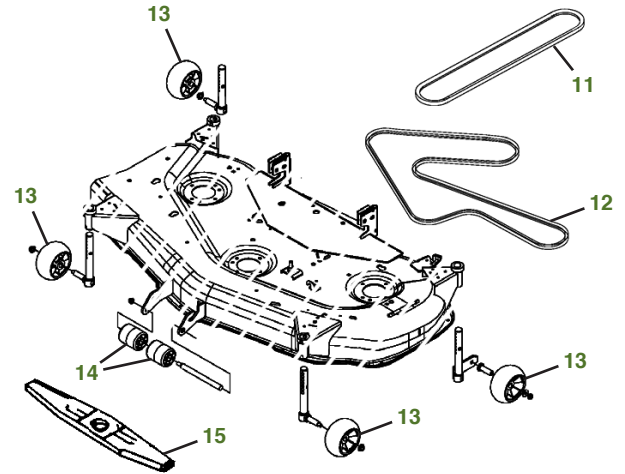
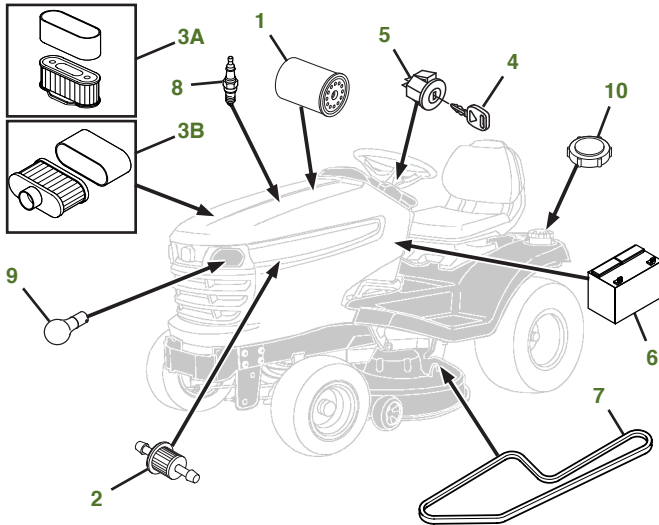


# MAINTENANCE REMINDER SHEET

## X324 with 48" X Deck (Rotatable Wheels)



Tractor S/N

Deck S/N

Key	Part No.	Description	Key	Part No.	Description
1	<a href="#">AM107423</a>	ENGINE OIL FILTER-ENG FH661V	7	<a href="#">M144044</a>	BELT-TRACTION DRIVE
	<a href="#">AM125424</a>	ENGINE OIL FILTER-ENG FS651V	8	<a href="#">M805853</a>	SPARK PLUG
2	<a href="#">AM116304</a>	FUEL FILTER-IN-LINE	9	<a href="#">AD2062R</a>	HEADLIGHT BULB
3A	<a href="#">M140295</a>	AIR FILTER-FOAM-ENG FH661V	10	<a href="#">AM137724</a>	FUEL CAP-ENG FH661V
	<a href="#">M150949</a>	AIR FILTER-PAPER-ENG FH661V		<a href="#">AM141406</a>	FUEL CAP-ENG FS651V
3B	<a href="#">MIU12554</a>	AIR FILTER-FOAM-ENG FS651V	11	<a href="#">M172924</a>	BELT-MOWER-PRIMARY
	<a href="#">MIU12555</a>	AIR FILTER-PAPER-ENG FS651V	12	<a href="#">M154958</a>	BELT-MOWER-SECONDARY
4	<a href="#">CY20680</a>	KEY	13	<a href="#">M111489</a>	GAGE WHEEL
5	<a href="#">AM133596</a>	IGNITION SWITCH (S/N -040000)	14	<a href="#">M113955</a>	FRONT ROLLER
	<a href="#">AM133597</a>	IGNITION SWITCH (S/N 040001-)	15	<a href="#">M145476</a>	BLADE-SIDE DISCHARGE 48"
6	<a href="#">TY25878</a>	BATTERY (S/N -250000)		<a href="#">M127673</a>	BLADE-MULCHING 48"
	<a href="#">TY25221</a>	BATTERY (S/N 250001-)			

### Parts Needed in First 250 Hours of Operation

Qty	Part No	Item	Qty or Capacity	Change Interval In Hours
7	<a href="#">TY22029</a>	1 qt Engine Oil Turf-Gard™ 10W30	2.1 qt	8/100/200
3	<a href="#">AM107423</a> or <a href="#">AM125424</a>	Engine Oil Filter	1	8/100/200
2	<a href="#">M140295</a> or <a href="#">MIU12554</a>	Air Filter-Foam	1	100/200
2	<a href="#">M150949</a> or <a href="#">MIU12555</a>	Air Filter-Paper	1	100/200
2	<a href="#">AM116304</a>	Fuel Filter-In-Line	1	100/200
4	<a href="#">M805853</a>	Spark Plug	2	100/200
2	<a href="#">TY6341</a>	JD Multi Purpose SD Polyurea Grease		As Needed

### "As Needed" Parts

Qty	Part No	Item
1	<a href="#">AM130907</a>	Mower Deck Leveling Gauge
1	<a href="#">TY26518</a>	Grease Gun

### Home Maintenance Kit

Unit	Kit Number
X324	<a href="#">LG249</a> (Eng FH661V) <a href="#">LG265</a> (Eng FS651V)

CLICK PART NUMBER TO BUY