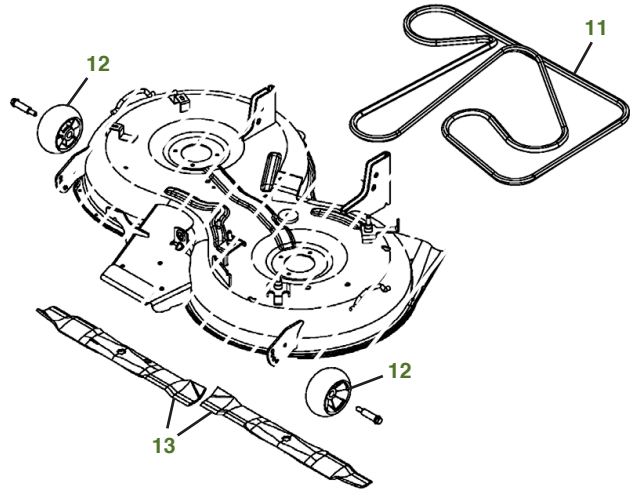
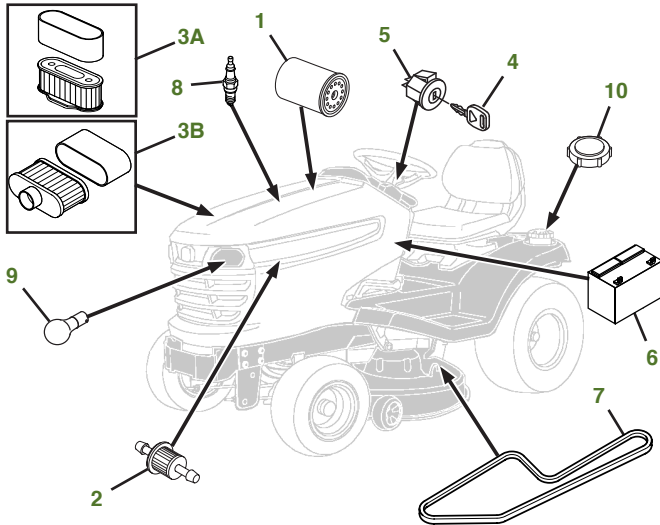


MAINTENANCE REMINDER SHEET

X324 with 42" Mulch Deck



Tractor S/N

Deck S/N

| Key | Part No. | Description | Key | Part No. | Description |
|-----|--------------------------|-------------------------------|-----|--------------------------|-------------------------------|
| 1 | AM107423 | ENGINE OIL FILTER-ENG FH661V | 7 | M151277 | BELT-TRAC DRIVE (S/N -150000) |
| | AM125424 | ENGINE OIL FILTER-ENG FS651V | | M144044 | BELT-TRAC DRIVE (S/N 150001-) |
| 2 | AM116304 | FUEL FILTER-IN-LINE | 8 | M805853 | SPARK PLUG |
| 3A | M140295 | AIR FILTER-FOAM-ENG FH661V | 9 | AD2062R | HEADLIGHT BULB |
| | M150949 | AIR FILTER-PAPER-ENG FH661V | 10 | AM137724 | FUEL CAP-ENG FH661V |
| 3B | MIU12554 | AIR FILTER-FOAM-ENG FS651V | | AM141406 | FUEL CAP-ENG FS651V |
| | MIU12555 | AIR FILTER-PAPER-ENG FS651V | 11 | M153160 | BELT-MOWER |
| 4 | CY20680 | KEY | 12 | M111489 | GAGE WHEEL |
| 5 | AM133596 | IGNITION SWITCH (S/N -040000) | 13 | AM140973 | KIT-MULCHING 42" |
| | AM133597 | IGNITION SWITCH (S/N 040001-) | | | |
| 6 | TY25878 | BATTERY (S/N -250000) | | | |
| | TY25221 | BATTERY (S/N 250001-) | | | |

Parts Needed in First 250 Hours of Operation

| Qty | Part No | Item | Qty or Capacity | Change Interval In Hours |
|-----|---|--|-----------------|--------------------------|
| 7 | TY22029 | 1 qt Engine Oil Turf-Gard™ 10W30 | 2.1 qt | 8/100/200 |
| 3 | AM107423 or AM125424 | Engine Oil Filter | 1 | 8/100/200 |
| 2 | M140295 or MIU12554 | Air Filter-Foam | 1 | 100/200 |
| 2 | M150949 or MIU12555 | Air Filter-Paper | 1 | 100/200 |
| 2 | AM116304 | Fuel Filter-In-Line | 1 | 100/200 |
| 4 | M805853 | Spark Plug | 2 | 100/200 |
| 2 | TY6341 | JD Multi Purpose SD Polyurea Grease | | As Needed |

"As Needed" Parts

| Qty | Part No | Item |
|-----|--------------------------|---------------------------|
| 1 | AM130907 | Mower Deck Leveling Gauge |
| 1 | TY26518 | Grease Gun |

Home Maintenance Kit

| Unit | Kit Number |
|------|--|
| X324 | LG249 (Eng FH661V) LG265 (Eng FS651V) |

CLICK PART NUMBER TO BUY