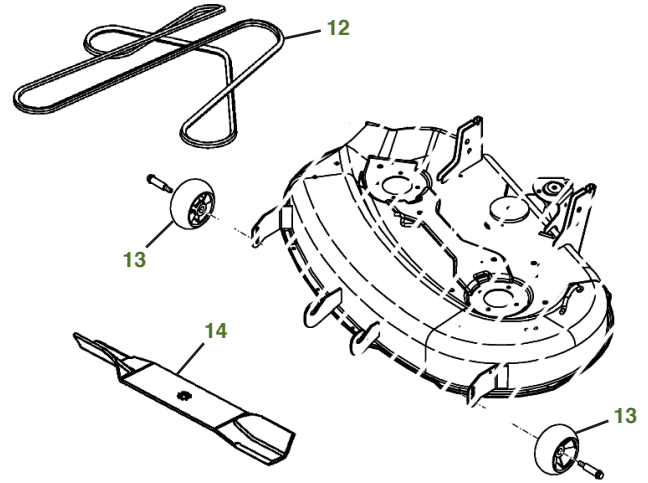
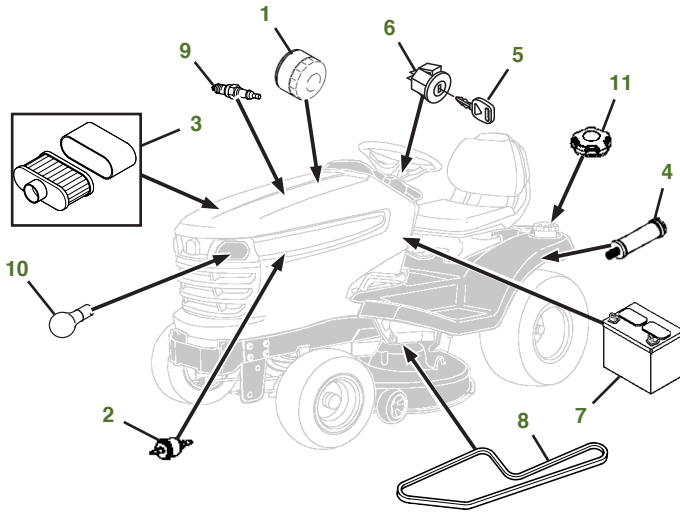


MAINTENANCE REMINDER SHEET

X310 with 42" Edge Deck



Tractor S/N

Deck S/N

Key	Part No.	Description	Key	Part No.	Description
1	AM125424	ENGINE OIL FILTER	8	M144044	BELT-TRACTION DRIVE
2	AM116304	FUEL FILTER-IN-LINE	9	M805853	SPARK PLUG
3	MIU12554	AIR FILTER-FOAM	10	AD2062R	HEADLIGHT BULB
	MIU12555	AIR FILTER-PAPER	11	AM141406	FUEL CAP
4	MIU800986	TRANSMISSION FILTER	12	M154621	BELT-MOWER
5	GY20680	KEY	13	M111489	GAGE WHEEL
6	AM133597	IGNITION SWITCH	14	AM141032	KIT-SIDE DISCHARGE 42"
7	TY25878	BATTERY (S/N -250000)		AM141034	KIT-BAGGING 42"
	TY25221	BATTERY (S/N 250001-)		AM141033	KIT-MULCHING 42"

Parts Needed in First 250 Hours of Operation

Qty	Part No	Item	Qty or Capacity	Change Interval In Hours
6	TY22029	1 qt Engine Oil Turf-Gard™ 10W30	1.8 qt	8/100/200
3	AM125424	Engine Oil Filter	1	8/100/200
2	TY22000	1 gal Low Viscosity Hy-Gard™	3 qt	50/200
2	MIU800986	Transmission Filter	1	50/200
2	MIU12554	Air Filter-Foam	1	100/200
2	MIU12555	Air Filter-Paper	1	100/200
2	AM116304	Fuel Filter-In-Line	1	100/200
4	M805853	Spark Plug	2	100/200
2	TY6341	JD Multi Purpose SD Polyurea Grease		As Needed

"As Needed" Parts

Qty	Part No	Item
1	AM130907	Mower Deck Leveling Gauge
1	TY26518	Grease Gun

Home Maintenance Kit

Unit	Kit Number
X310	LG265

CLICK PART NUMBER TO BUY