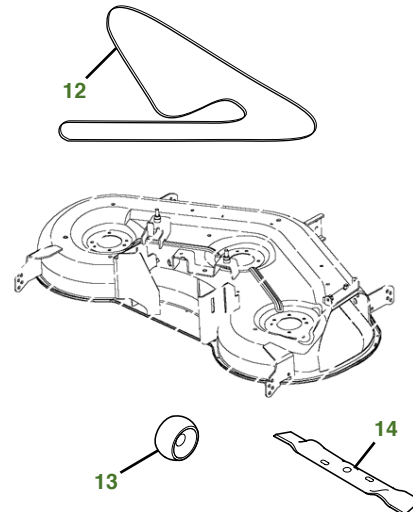
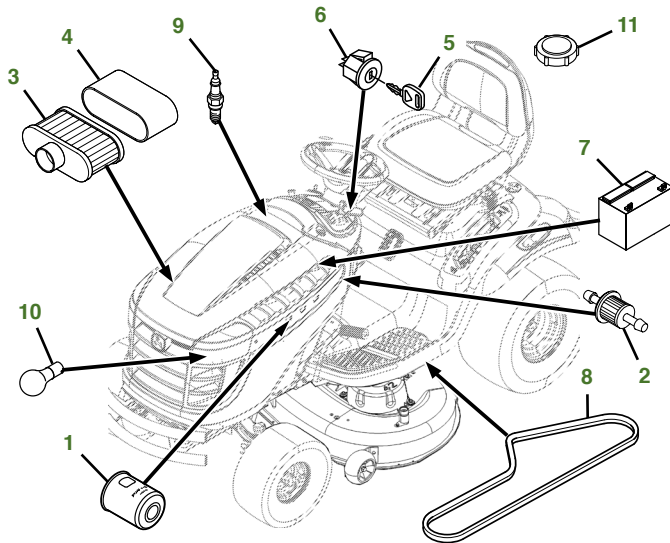


# MAINTENANCE REMINDER SHEET

## S240 with 48" Accel Deep™ Deck



Tractor S/N

Deck S/N

Key	Part No.	Description	Key	Part No.	Description
1	<a href="#">AM125424</a>	ENGINE OIL FILTER	10	<a href="#">AD2062R</a>	HEADLIGHT BULB
2	<a href="#">AM116304</a>	FUEL FILTER-IN-LINE	11	<a href="#">GX23465</a>	FUEL CAP (S/N -825000)
3	<a href="#">MIU12555</a>	AIR FILTER		<a href="#">AUC12860</a>	FUEL CAP (S/N 825001-)
4	<a href="#">MIU12554</a>	PRECLEANER	12	<a href="#">UC10514</a>	BELT-MOWER
5	<a href="#">GY20680</a>	KEY	13	<a href="#">CX10168</a>	GAGE WHEEL
6	<a href="#">GY20074</a>	IGNITION SWITCH	14	<a href="#">M145476</a>	BLADE-SIDE DISCHARGE 48"
7	<a href="#">TY25878</a>	BATTERY		<a href="#">M127673</a>	BLADE-MULCHING 48"
8	<a href="#">GX20006</a>	BELT-TRACTION DRIVE		<a href="#">BM24993</a>	MulchControl™ KIT
9	<a href="#">M805853</a>	SPARK PLUG - 49 STATE			

### Parts Needed in First 250 Hours of Operation

Qty	Part No	Item	Qty or Capacity	Change Interval In Hours
4	<a href="#">TY22029</a>	1 qt Engine Oil Turf-Gard™ 10W30	1.8 qt	100/200
2	<a href="#">AM125424</a>	Engine Oil Filter	1	100/200
2	<a href="#">MIU12555</a>	Air Filter	1	100/200
2	<a href="#">MIU12554</a>	Precleaner	1	100/200
2	<a href="#">AM116304</a>	Fuel Filter	1	100/200
4	<a href="#">M805853</a>	Spark Plug	2	100/200
1	<a href="#">TY24416</a>	JD Multi Purpose HD Lithium Complex Grease		As Needed

### "As Needed" Parts

Qty	Part No	Item
1	<a href="#">AM130907</a>	Mower Deck Leveling Gauge
1	<a href="#">TY26518</a>	Grease Gun

### Home Maintenance Kit

Unit	Kit Number
S240	<a href="#">LG265</a>

CLICK PART NUMBER TO BUY