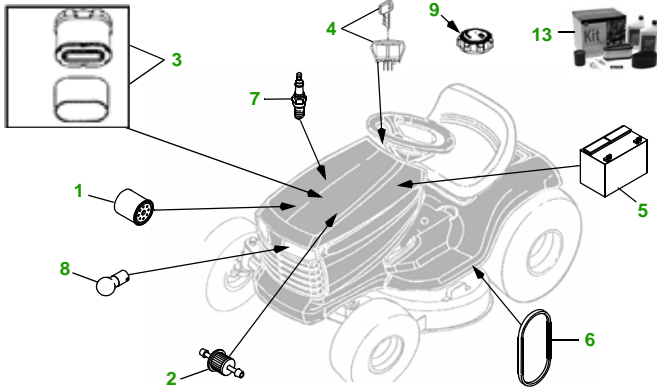


# MAINTENANCE REMINDER SHEET

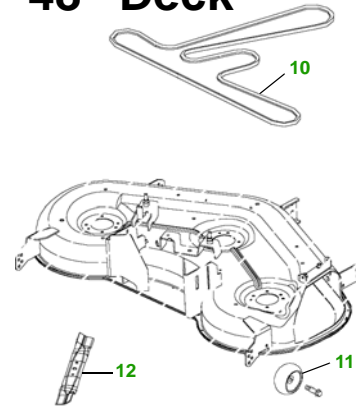
## LA155 with 48" Deck

### Tractor



Tractor S/N

### 48" Deck



Deck S/N

Key	Part No.	Description
1	AM125424	OIL FILTER
	GY20577	OIL FILTER (PACKAGE)
2	AM116304	FUEL FILTER - IN-LINE
	GY20709	FUEL FILTER (PACKAGE)
3	MIU11515	AIR FILTER - CARTRIDGE
	MIU11517	AIR FILTER - PRE CLEANER
	GY21057	AIR FILTER (PACKAGE)
4	GY20680	KEY (PACKAGE)
	GY20074	IGNITION SWITCH
5	TY25878	BATTERY
6	GX20006	BELT - TRACTION DRIVE

Key	Part No.	Description
7	M78543	SPARK PLUG
8	AD2062R	HEADLIGHT BULB
9	GX22166	FUEL CAP
10	GX21833	BELT (PACKAGE)
11	GX10168	GAGE WHEEL
12	GX21784	BLADE- STANDARD
	GY20852	BLADE - (PKG) (PACKAGED QTY - 3 BLADES)
	GX21785	BLADE - BAGGING
	GX21786	BLADE - HI PERF MULCHING

### Service Recommendations

### "As Needed" Parts

Qty	Part No	Item	Qty or Capacity	Change Interval in Hours
5	GY20577	Oil Filter - Package		50/100/150/200/250
2	TY22076	2 1/2 Gal. Engine Oil Turf Gard @ 10W30	2.0 qt	8/50/100/150/200/250
5	GY21057	Air Filter - Package		50/100/150/200/250
5	GY20709	Fuel Filter - Package		50/100/150/200/250
10	M78543	Spark Plug	2	50/100/150/200/250
2	TY6341	JD Multi Purpose SD Polyurea Grease		As Needed

Qty	Part No	Item
1	AM130907	Mower Deck Leveling Gauge
1	TY26183	Grease Gun

#### FOR ON-LINE PARTS ASSISTANCE:

[www.JDParts.Deere.com](http://www.JDParts.Deere.com)



- VIEW [John Deere Parts Catalog](#) to look-up part numbers
- ORDER parts on-line from your [John Deere Dealer](#)
- SEARCH for parts for [YOUR specific model](#)
- SEARCH for parts by [Partial Part Number](#)

[www.Deere.com](http://www.Deere.com)

- PRINT [Valuable Parts Coupons for discounts at your John Deere Dealer](#)
- REVIEW John Deere [Parts Quality Stories](#)
- SEE a complete list of all [Home Maintenance Kits](#)
- CONSIDER [Quick Reference Guides](#) for your commercial equipment

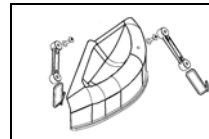
#### FOR ON-LINE SERVICE ASSISTANCE:

[www.Deere.com](http://www.Deere.com)

- VIEW [Technical \(Service\) Publications and Operator's Manuals](#)
- SELECT the desired [Maintenance Plan](#) that is right for you
- UNDERSTAND the [John Deere Warranty](#) on your equipment

#### OTHER SITES:

- SEARCH [Home & Workshop Products](#) off the Residential section at Deere.com.
- GO TO [www.johndeerecredit.com](http://www.johndeerecredit.com) to find your finance solution
- FIND the mower that is right for you through our [JD Mower Selection Tool](#)
- GO TO [www.johndeeregifts.com](http://www.johndeeregifts.com) to stop by John Deere's "General Store"



Mulch Cover Kit..... GY20417

Dealer Name  
Contact Name  
Dealer Phone No



#### Home Maintenance Kit

Unit	Kit Number
LA155	LG264

