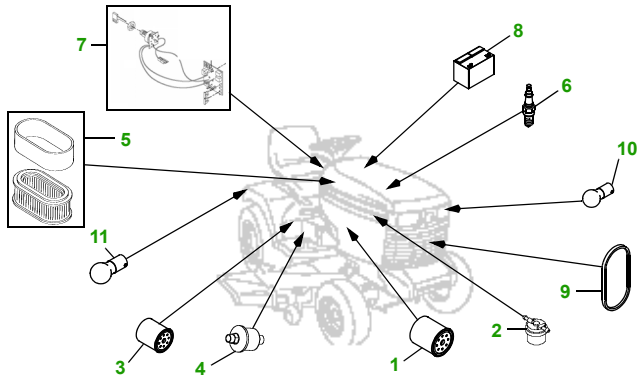


MAINTENANCE REMINDER SHEET

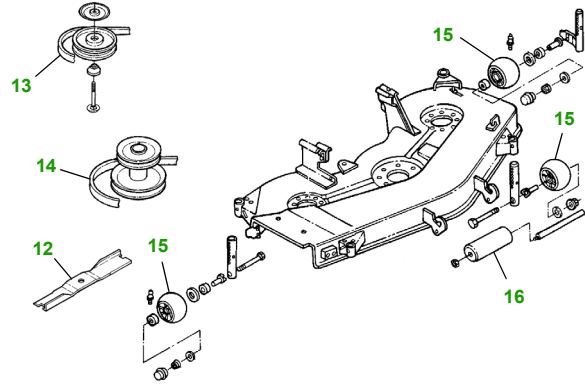
GX345 with 48" Deck

Garden Tractor



Tractor S/N

48" Deck



Deck S/N

Key	Part No.	Description
1	AM107423	ENGINE OIL FILTER
2	AM116304	FUEL FILTER IN-LINE
	GY20709	FUEL FILTER - IN-LINE (PACKAGE)
3	AM131102	TRANSAXLE OIL FILTER
4	AM120916	HYDRAULIC FILTER
5	M76076	FOAM AIR FILTER ELEMENT
	MIU10778	PAPER AIR FILTER ELEMENT
6	M802138	SPARK PLUG
7	AM131841	KEY
	AM132500	IGNITION MODULE
8	TY25881	BATTERY (DRY)
9	M142499	BELT - TRACTION DRIVE

Key	Part No.	Description
10	AD2062R	HEADLIGHT BULB
11	AR62407	WARNING LIGHT BULB
12	M115495	BLADE - STANDARD
	M135589	BLADE - HIGH LIFT
13	M110312	BELT - PRIMARY
14	M154958	BELT - SECONDARY
15	AM133602	KIT - GAGE WHEEL - FRONT
	AM115488	GAGE WHEEL - REAR -
		ALSO ORDER M111490 AND M111491
16	M113955	ROLLER - 2.9 INCH
	M114002	ROLLER - 3.9 INCH

Service Recommendations

Qty	Part No	Item	Qty or Capacity	Change Interval in Hours
3	AM107423	Oil Filter	1	50/100/200
1	TY22076	2 1/2 Gal Turf Gard® 10W30 Engine Oil	2.0 qt	50/100/200
2	AM131102	Transaxle Oil Filter	1	50/250
3	TY22000	1 Gal Low Vis Hygard	5.0 qt	50/250
2	AM120916	Hydraulic Filter	1	50/250
1	AM116304	Fuel Filter	1	200
1	TY25081	1 Gal Cool Gard	3.3 qt	200
2	TY6341	JD Multi Purpose SD Polyurea Grease		As Needed

"As Needed" Parts

Qty	Part No	Item
1	AM115497	Fuel Cap
1	AM130907	Mower Deck Leveling Gauge
1	TY26183	Grease Gun

FOR ON-LINE PARTS ASSISTANCE:

www.JDParts.Deere.com



- VIEW [John Deere Parts Catalog](#) to look-up part numbers
- ORDER parts on-line from your [John Deere Dealer](#)
- SEARCH for parts for [YOUR specific model](#)
- SEARCH for parts by [Partial Part Number](#)

www.Deere.com

- PRINT [Valuable Parts Coupons for discounts at your John Deere Dealer](#)
- REVIEW John Deere [Parts Quality Stories](#)
- SEE a complete list of all [Home Maintenance Kits](#)
- CONSIDER [Quick Reference Guides](#) for your commercial equipment

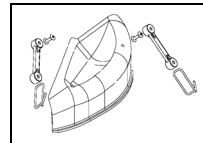
FOR ON-LINE SERVICE ASSISTANCE:

www.Deere.com

- VIEW [Technical \(Service\) Publications and Operator's Manuals](#)
- SELECT the desired [Maintenance Plan](#) that is right for you
- UNDERSTAND the [John Deere Warranty](#) on your equipment

OTHER SITES:

- SEARCH [Home & Workshop Products](#) off the Residential section at Deere.com.
- GO TO www.johndeerecredit.com to find your finance solution
- FIND the mower that is right for you through our [JD Mower Selection Tool](#)
- GO TO www.johndeeregifts.com to stop by John Deere's "General Store"



Tricycler Mulch Kit..... BM19918

Dealer Name
Contact Name
Dealer Phone No



Home Maintenance Kit

Unit	Kit Number
GX345	LG186

