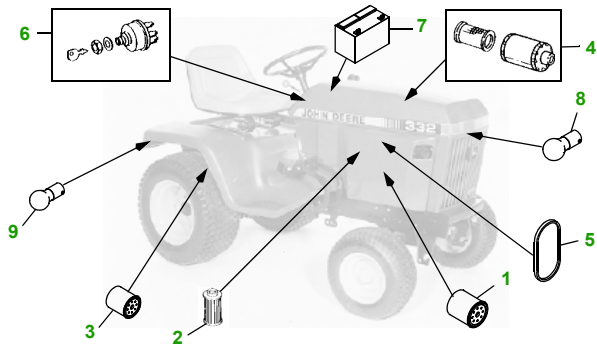


# MAINTENANCE REMINDER SHEET

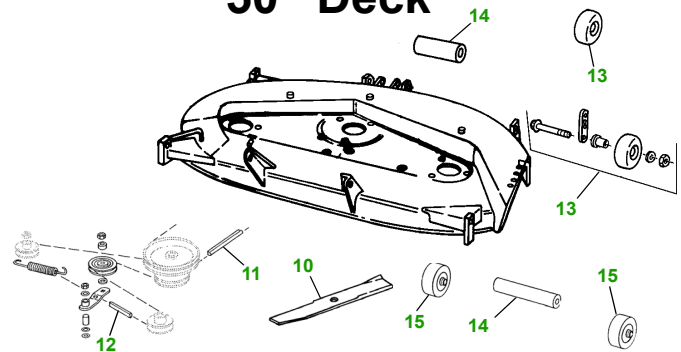
## 332 with 50" Deck

### Lawn & Garden Tractor



Tractor S/N

### 50" Deck



Deck S/N

Key	Part No.	Description
1	M806418	ENGINE OIL FILTER
2	M801101	FUEL FILTER IN-LINE
3	AM39653	TRANSAXLE OIL FILTER
4	AM101283	AIR FIL ELE - PRIMARY (S/N —475000)
	AM108242	AIR FIL ELE - PRIMARY (S/N 475001—)
	M94734	AIR FIL ELE - SECONDARY (S/N 475001—)
5	M811281	BELT - FAN
6	AR51481	KEY
	AR58126	IGNITION SWITCH
7	TY25221	BATTERY (DRY)
8	AD2062R	HEADLIGHT BULB

Key	Part No.	Description
9	A62407	TAIL LIGHT BULB
10	M86209	BLADE - STANDARD
	M76461	BLADE - MED LIFT
11	M89112	BELT - PRIMARY
12	M41668	BELT - SECONDARY
13	AM133602	KIT - GAGE WHEEL - FRONT
14	M113955	ROLLER - ALSO ORDER M114002
15	AM32639	GAGE WHEEL - REAR

#### Service Recommendations

Qty	Part No	Item	Qty or Capacity	Change Interval in Hours
2	M806418	Oil Filter	1	50/100
2	TY22008	1 Gal Plus 50 15W40 Engine Oil	3.1 qt	50/100
2	AM39653	Transaxle Oil Filter	1	50/200
2	TY22000	1 Gal JD Low Viscosity Hygard	5.0 qt	200
2	TY6333	JD Moly High Temp Grease		As Needed

#### "As Needed" Parts

Qty	Part No	Item
1	AM101282	Fuel Cap and Gauge
1	AM130907	Mower Deck Leveling Gauge
1	TY26183	Grease Gun

#### FOR ON-LINE PARTS ASSISTANCE:

[www.JDParts.Deere.com](http://www.JDParts.Deere.com)



- VIEW [John Deere Parts Catalog](#) to look-up part numbers
- ORDER parts on-line from your [John Deere Dealer](#)
- SEARCH for parts for [YOUR specific model](#)
- SEARCH for parts by [Partial Part Number](#)

[www.Deere.com](http://www.Deere.com)

- PRINT [Valuable Parts Coupons for discounts at your John Deere Dealer](#)
- REVIEW John Deere [Parts Quality Stories](#)
- SEE a complete list of all [Home Maintenance Kits](#)
- CONSIDER [Quick Reference Guides](#) for your commercial equipment

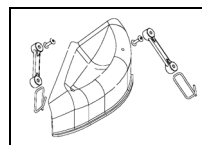
#### FOR ON-LINE SERVICE ASSISTANCE:

[www.Deere.com](http://www.Deere.com)

- VIEW [Technical \(Service\) Publications and Operator's Manuals](#)
- SELECT the desired [Maintenance Plan](#) that is right for you
- UNDERSTAND the [John Deere Warranty](#) on your equipment

#### OTHER SITES:

- SEARCH [Home & Workshop Products](#) off the Residential section at Deere.com.
- GO TO [www.johndeerecredit.com](http://www.johndeerecredit.com) to find your finance solution
- FIND the mower that is right for you through our [JD Mower Selection Tool](#)
- GO TO [www.johndeeregifts.com](http://www.johndeeregifts.com) to stop by John Deere's "General Store"



Mulch Kit..... N/A

Dealer Name  
Contact Name  
Dealer Phone No



#### Home Maintenance Kit

Unit	Kit Number
332	N/A

