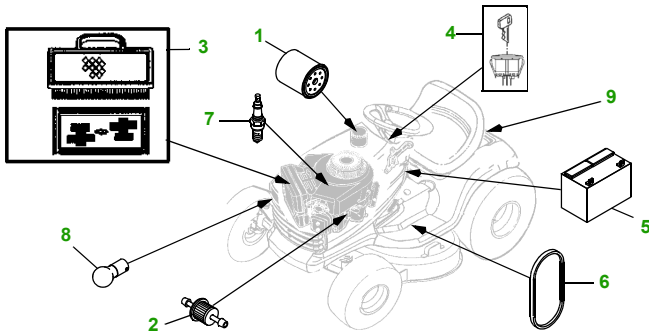


MAINTENANCE REMINDER SHEET

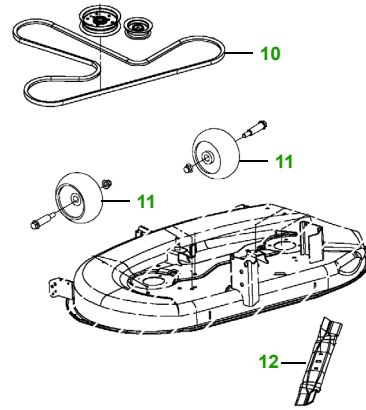
135 with 42" Edge Deck

Lawn Tractors



Tractor S/N

42" Edge Deck



Deck S/N

Key	Part No.	Description
1	AM125424	OIL FILTER
	GY20577	OIL FILTER (PACKAGE)
2	AM116304	FUEL FILTER - IN-LINE
	GY20709	FUEL FILTER (PACKAGE)
3	GY20575	AIR CLEANER (PACKAGE)
4	GY20680	KEY (PACKAGE)
	GY20074	IGNITION SWITCH
5	TY25878	BATTERY
6	GX20006	BELT - TRACTION DRIVE

Key	Part No.	Description
7	M78543	SPARK PLUG
8	AD2062R	HEADLIGHT BULB
9	GX22166	FUEL CAP
10	GX20072	BELT (PACKAGE)
11	GX10168	GAGE WHEEL
12	AM141031	KIT - 3N1 BLADE - STANDARD
	GX20850	BLADE - (PKG) (PACKAGED QTY - 2 BLADES)
	AM141034	BLADE - BAGGING
	AM141033	BLADE - MULCHING

Service Recommendations

"As Needed" Parts

Qty	Part No	Item	Qty or Capacity	Change Interval in Hours
5	AM125424	Oil Filter	1	50/100/150/200/250
2	TY22076	2 1/2 Gal. Engine Oil Turf Gard® 10W30	2.0 qt	8/50/100/150/200/250
5	GY20575	Air Filter Kit	1	50/100/150/200/250
5	AM116304	Fuel Filter	1	50/100/150/200/250
10	M78543	Spark Plug	2	50/100/150/200/250
2	TY6341	JD Multi Purpose SD Polyurea Grease		As Needed

Qty	Part No	Item
1	AM130907	Mower Deck Leveling Gauge
1	TY26183	Grease Gun

FOR ON-LINE PARTS ASSISTANCE:

www.JDParts.Deere.com



- VIEW [John Deere Parts Catalog](#) to look-up part numbers
- ORDER parts on-line from your [John Deere Dealer](#)
- SEARCH for parts for [YOUR specific model](#)
- SEARCH for parts by [Partial Part Number](#)

www.Deere.com

- PRINT [Valuable Parts Coupons for discounts at your John Deere Dealer](#)
- REVIEW John Deere [Parts Quality Stories](#)
- SEE a complete list of all [Home Maintenance Kits](#)
- CONSIDER [Quick Reference Guides](#) for your commercial equipment

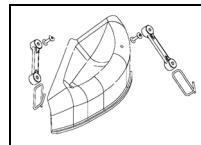
FOR ON-LINE SERVICE ASSISTANCE:

www.Deere.com

- VIEW [Technical \(Service\) Publications and Operator's Manuals](#)
- SELECT the desired [Maintenance Plan](#) that is right for you
- UNDERSTAND the [John Deere Warranty](#) on your equipment

OTHER SITES:

- SEARCH [Home & Workshop Products](#) off the Residential section at Deere.com.
- GO TO www.johndeerecredit.com to find your finance solution
- FIND the mower that is right for you through our [JD Mower Selection Tool](#)
- GO TO www.johndeeregifts.com to stop by John Deere's "General Store"



Mulch Cover Kit....GY00115 (PACKAGE)

Dealer Name
Contact Name
Dealer Phone No



Home Maintenance Kit

Unit	Kit Number
135	LG230



JOHN DEERE