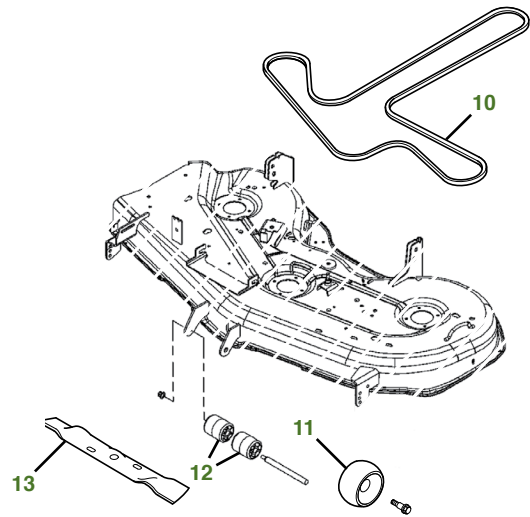
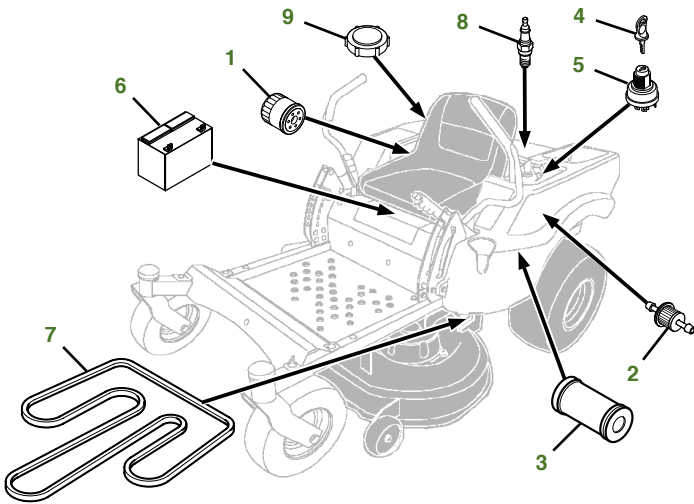


MAINTENANCE REMINDER SHEET

Z535M with 62" Edge Deck



Tractor S/N

Deck S/N

Key	Part No.	Description	Key	Part No.	Description
1	AM125424	ENGINE OIL FILTER	8	MIU11020	SPARK PLUG
2	AM116304	FUEL FILTER-IN-LINE	9	AM146138	FUEL CAP
3	AUC10688	AIR FILTER	10	M172963	BELT-MOWER
4	AM125504	KEY	11	TCU18744	GAGE WHEEL
5	TCA22740	IGNITION SWITCH	12	M113955	FRONT ROLLER
6	TY25878	BATTERY	13	M158112	BLADE-SIDE DISCHARGE 62"
7	M172116	BELT-TRACTION DRIVE		M145719	BLADE-MULCHING 62"
				BM21890	MULCH KIT

Parts Needed in First 250 Hours of Operation

Qty	Part No	Item	Qty or Capacity	Change Interval In Hours
10	TY22029	1 qt Engine Oil Turf-Gard™ 10W30	2.0 qt	50/100/150/200/250
5	AM125424	Engine Oil Filter	1	50/100/150/200/250
2	AUC10688	Air Filter	1	100/200
2	AM116304	Fuel Filter	1	100/200
4	MIU11020	Spark Plug	2	100/200
1	TY24416	John Deere Multi-Purpose HD Lithium Complex Grease		As Needed

"As Needed" Parts

Qty	Part No	Item
1	AM130907	Mower Deck Leveling Gauge
1	TY26517	Grease Gun

Home Maintenance Kit

Unit	Kit Number
Z535M	LG269

CLICK PART NUMBER TO BUY