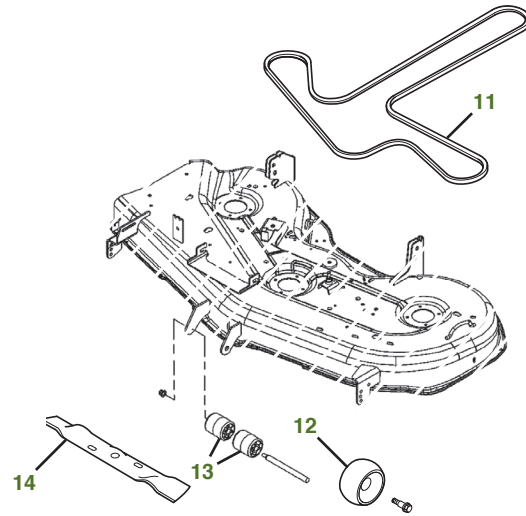
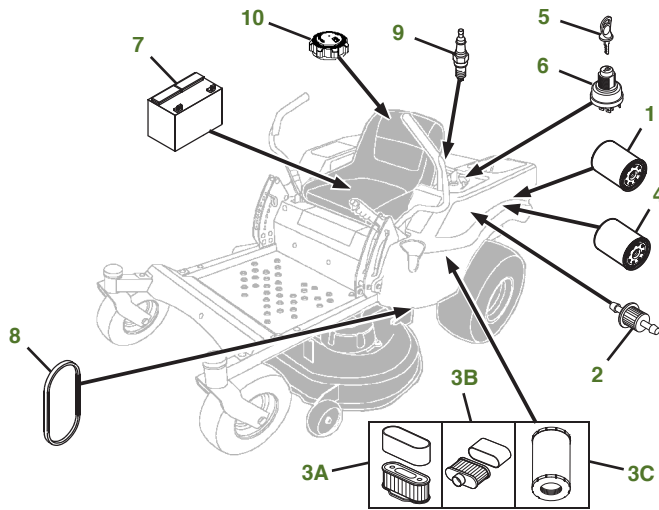


# MAINTENANCE REMINDER SHEET

## Z465 with 62" Edge Deck



Tractor S/N

Deck S/N

Key	Part No.	Description	Key	Part No.	Description
1	<a href="#">AM107423</a> .....	ENGINE OIL FILTER (S/N -150000)	7	<a href="#">TY25878</a> .....	BATTERY
	<a href="#">AM125424</a> .....	ENGINE OIL FILTER (S/N 150001-)	8	<a href="#">M154157</a> .....	BELT-DRIVE (S/N -100000)
	<a href="#">AM125424</a> .....	ENGINE OIL FILTER (BRIGGS)		<a href="#">M160571</a> .....	BELT-DRIVE (S/N 100001-130000)
2	<a href="#">AM116304</a> .....	FUEL FILTER-IN-LINE		<a href="#">M169705</a> .....	BELT-DRIVE (S/N 130001-)
3A	<a href="#">M140295</a> .....	AIR FILTER-FOAM (S/N -150000)	9	<a href="#">M805853</a> .....	SPARK PLUG
	<a href="#">M150949</a> .....	AIR FILTER-PAPER (S/N -150000)		<a href="#">MIU11020</a> .....	SPARK PLUG (BRIGGS)
3B	<a href="#">MIU12554</a> .....	AIR FILTER-FOAM (S/N 150001-)	10	<a href="#">AM137724</a> .....	FUEL CAP (S/N -100000)
	<a href="#">MIU12555</a> .....	AIR FILTER-PAPER (S/N 150001-)		<a href="#">AM141161</a> .....	FUEL CAP (S/N 100001-)
3C	<a href="#">MIU13120</a> .....	AIR FILTER (BRIGGS)	11	<a href="#">M156261</a> .....	BELT-MOWER
4	<a href="#">AM131054</a> .....	HYDRAULIC FILTER (S/N -100000)	12	<a href="#">TCU18744</a> .....	GAGE WHEEL
	<a href="#">MIU13018</a> .....	HYDRAULIC FILTER (S/N 100001-)	13	<a href="#">M113955</a> .....	FRONT ROLLER
5	<a href="#">AM125504</a> .....	KEY	14	<a href="#">M158112</a> .....	BLADE-SIDE DISCHARGE 62"
6	<a href="#">TCA22740</a> .....	IGNITION SWITCH		<a href="#">M145719</a> .....	BLADE-MULCHING 62"

### Parts Needed in First 250 Hours of Operation

Qty	Part No	Item	Qty or Capacity	Change Interval In Hours
1	<a href="#">TY22076</a>	2.5 gal Engine Oil Turf-Gard™ 10W30	1.6 qt or 1.75 qt	8/50/100/150/200/250
6	<a href="#">AM107423</a> or <a href="#">AM125424</a>	Engine Oil Filter	1	8/50/100/150/200/250
2	<a href="#">M140295</a> or <a href="#">MIU12554</a>	Air Filter-Foam	1	100/200
2	<a href="#">M150949</a> or <a href="#">MIU12555</a>	Air Filter-Paper	1	100/200
2	<a href="#">MIU13120</a>	Air Filter (Briggs)	1	100/200
2	<a href="#">AM116304</a>	Fuel Filter	1	100/200
4	<a href="#">M805853</a> or <a href="#">MIU11020</a>	Spark Plug	2	100/200
2	<a href="#">TY6341</a>	JD Multi Purpose SD Polyurea Grease		As Needed

### "As Needed" Parts

Qty	Part No	Item
1	<a href="#">AM130907</a>	Mower Deck Leveling Gauge
1	<a href="#">TY26518</a>	Grease Gun

### Home Maintenance Kit

Unit	Kit Number
Z465	<a href="#">LG249</a> (S/N -100000) <a href="#">LG269</a> (S/N 100001-140000) <a href="#">LG265</a> (S/N 140001-)

CLICK PART NUMBER TO BUY