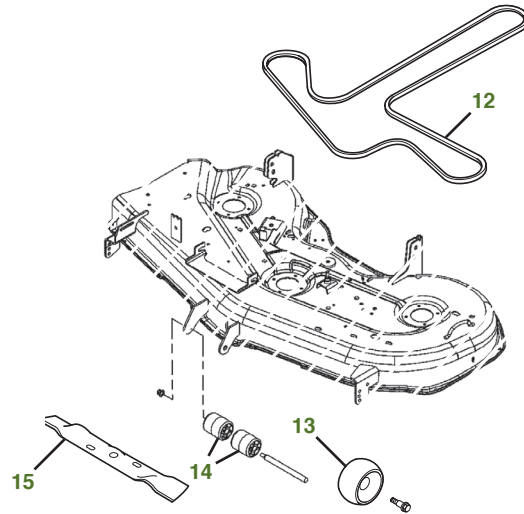
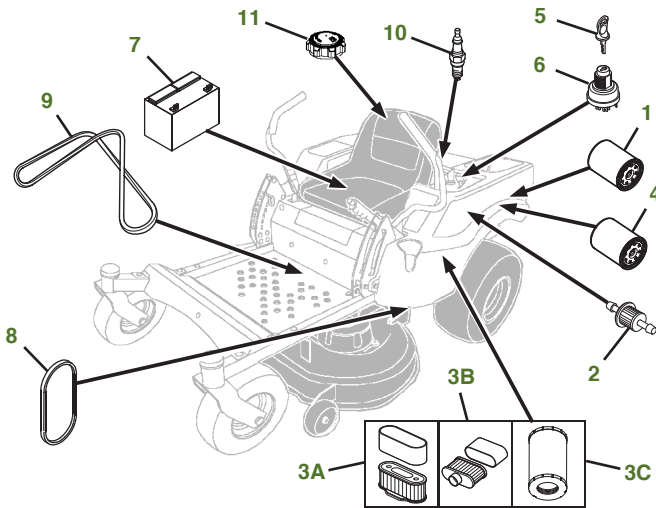


MAINTENANCE REMINDER SHEET

Z445 with 54" Edge Deck



Tractor S/N

Deck S/N

Key	Part No.	Description	Key	Part No.	Description
1	AM107423	ENGINE OIL FILTER (S/N -150000), (BRIGGS S/N -100000)	8	M154157	BELT-DRIVE (S/N -100000)
	AM125424	ENGINE OIL FILTER (S/N 150001-), (BRIGGS-S/N 100001-)		M160571	BELT-DRIVE (S/N 100001-130000)
2	AM116304	FUEL FILTER-IN-LINE	9	M169705	BELT-DRIVE (S/N 130001-)
3A	M140295	AIR FILTER-FOAM (S/N -150000)	10	M146479	BELT-POWER FLOW
	M150949	AIR FILTER-PAPER (S/N -150000)	11	M805853	SPARK PLUG
3B	MIU12554	AIR FILTER-FOAM (S/N 150001-)		MIU11020	SPARK PLUG (BRIGGS)
	MIU12555	AIR FILTER-PAPER (S/N 150001-)	12	AM137724	FUEL CAP (S/N -100000)
3C	MIU13120	AIR FILTER (BRIGGS)		AM141161	FUEL CAP (S/N 100001-)
4	AM131054	HYDRAULIC FILTER (S/N -100000)	13	M158131	BELT-MOWER
	MIU13018	HYDRAULIC FILTER (S/N 100001-)	14	GX10168	GAGE WHEEL
5	AM125504	KEY	15	M113955	FRONT ROLLER
6	TCA22740	IGNITION SWITCH		M143520	BLADE-SIDE DISCHARGE 54"
7	TY25878	BATTERY		M152726	BLADE-HIGH LIFT 54"
				M145516	BLADE-MULCHING 54"

Parts Needed in First 250 Hours of Operation

Qty	Part No	Item	Qty or Capacity	Change Interval In Hours
1	TY22076	2.5 gal Engine Oil Turf-Gard™ 10W30	1.6 qt or 1.75 qt	8/50/100/150/200/250
6	AM107423 or AM125424	Engine Oil Filter	1	8/50/100/150/200/250
2	M140295 or MIU12554	Air Filter-Foam	1	100/200
2	M150949 or MIU12555	Air Filter-Paper	1	100/200
2	MIU13120	Air Filter (Briggs)	1	100/200
2	AM116304	Fuel Filter	1	100/200
4	M805853 or MIU11020	Spark Plug	2	100/200
2	TY6341	JD Multi Purpose SD Polyurea Grease		As Needed

"As Needed" Parts

Qty	Part No	Item
1	AM130907	Mower Deck Leveling Gauge
1	TY26518	Grease Gun

Home Maintenance Kit

Unit	Kit Number
Z445	LG249 (S/N -100000) LG269 (S/N 100001-140000) LG265 (S/N 140001-)

CLICK PART NUMBER TO BUY