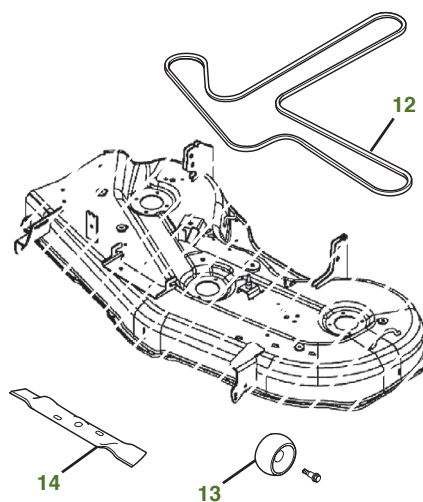
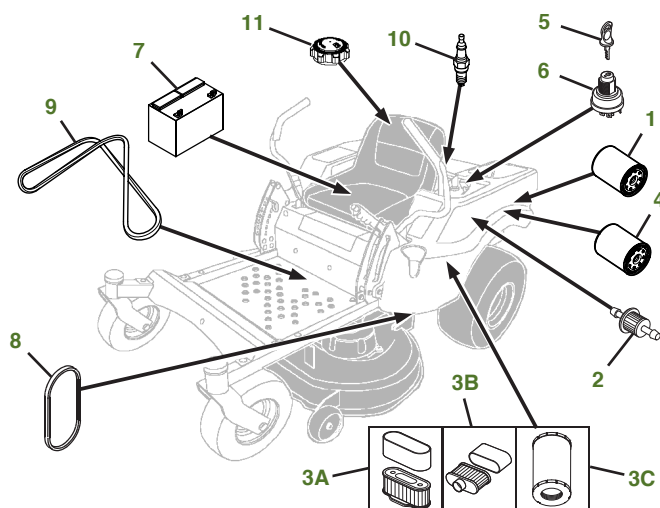


MAINTENANCE REMINDER SHEET

Z445 with 48" Edge Deck



Tractor S/N

Deck S/N

Key	Part No.	Description	Key	Part No.	Description
1	AM107423	ENGINE OIL FILTER (S/N -150000), (BRIGGS S/N -100000)	7	TY25878	BATTERY
	AM125424	ENGINE OIL FILTER (S/N 150001-), (BRIGGS-S/N 100001-)	8	M154157	BELT-DRIVE (S/N -100000)
2	AM116304	FUEL FILTER-IN-LINE		M160571	BELT-DRIVE (S/N 100001-130000)
3A	M140295	AIR FILTER-FOAM (S/N -150000)		M169705	BELT-DRIVE (S/N 130001-)
	M150949	AIR FILTER-PAPER (S/N -150000)	9	M147278	BELT-POWER FLOW
3B	MIU12554	AIR FILTER-FOAM (S/N 150001-)	10	M805853	SPARK PLUG
	MIU12555	AIR FILTER-PAPER (S/N 150001-)		MIU11020	SPARK PLUG (BRIGGS)
3C	MIU13120	AIR FILTER (BRIGGS)	11	AM137724	FUEL CAP (S/N -100000)
4	AM131054	HYDRAULIC FILTER (S/N -100000)		AM141161	FUEL CAP (S/N 100001-)
	MIU13018	HYDRAULIC FILTER (S/N 100001-)	12	M158130	BELT-MOWER (S/N -100000)
5	AM125504	KEY		M158131	BELT-MOWER (S/N 100001-)
6	TCA22740	IGNITION SWITCH	13	CX10168	GAGE WHEEL
			14	M145476	BLADE-SIDE DISCHARGE 48"
				M127673	BLADE-MULCHING 48"

Parts Needed in First 250 Hours of Operation

Qty	Part No	Item	Qty or Capacity	Change Interval In Hours
1	TY22076	2.5 gal Engine Oil Turf-Gard™ 10W30	1.6 qt or 1.75 qt	8/50/100/150/200/250
6	AM107423 or AM125424	Engine Oil Filter	1	8/50/100/150/200/250
2	M140295 or MIU12554	Air Filter-Foam	1	100/200
2	M150949 or MIU12555	Air Filter-Paper	1	100/200
2	MIU13120	Air Filter (Briggs)	1	100/200
2	AM116304	Fuel Filter	1	100/200
4	M805853 or MIU11020	Spark Plug	2	100/200
2	TY6341	JD Multi Purpose SD Polyurea Grease		As Needed

"As Needed" Parts

Qty	Part No	Item
1	AM130907	Mower Deck Leveling Gauge
1	TY26518	Grease Gun

Home Maintenance Kit

Unit	Kit Number
Z445	LG249 (S/N -100000) LG269 (S/N 100001-140000) LG265 (S/N 140001-)

CLICK PART NUMBER TO BUY