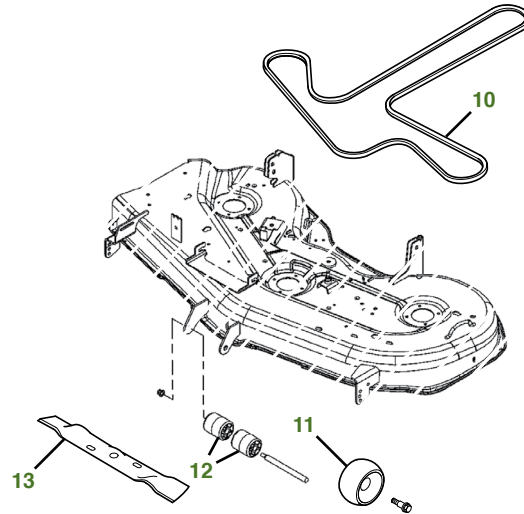
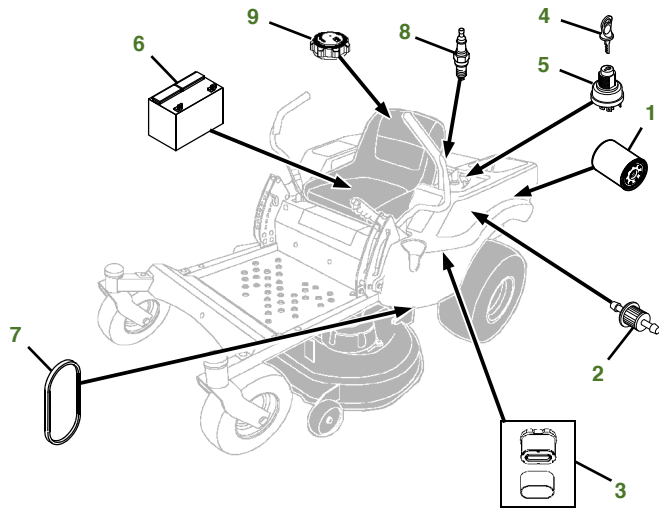


MAINTENANCE REMINDER SHEET

Z375R with 54-in. Accel Deep™ Deck



Tractor S/N

Deck S/N

Key	Part No.	Description	Key	Part No.	Description
1	AM125424	ENGINE OIL FILTER	8	MIU11020	SPARK PLUG
2	AM116304	FUEL FILTER-IN-LINE	9	GX23465	FUEL CAP
3	MIU11515	AIR FILTER-CART	10	GX26422	BELT-MOWER
4	AM125504	KEY	11	GX10168	GAGE WHEEL
5	TCA22740	IGNITION SWITCH	12	M113955	FRONT ROLLER
6	TY25878	BATTERY	13	M143520	BLADE-SIDE DISCHARGE 54"
7	GX26401	BELT-DRIVE		M177791	BLADE-MULCHING 54"
			14	BM24994	MULCHCONTROL™ KIT

Parts Needed in First 250 Hours of Operation

Qty	Part No	Item	Qty or Capacity	Change Interval In Hours
2	TY22076	2.5 gal Engine Oil Turf-Gard™ 10W30	2.0 qt	50/100/150/200/250
5	AM125424	Engine Oil Filter	1	50/100/150/200/250
2	MIU11515	Air Filter-Cartridge	1	100/200
2	MIU11517	Air Filter-Pre Cleaner	1	100/200
2	AM116304	Fuel Filter	1	100/200
4	MIU11020	Spark Plug	2	100/200
2	TY24416	John Deere Multi-Purpose HD Lithium Complex Grease		As Needed

"As Needed" Parts

Qty	Part No	Item
1	AM130907	Mower Deck Leveling Gauge
1	TY26518	Grease Gun

Home Maintenance Kit

Unit	Kit Number
Z375R	LG268

CLICK PART NUMBER TO BUY