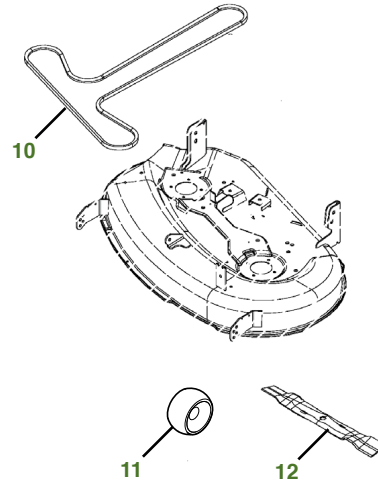
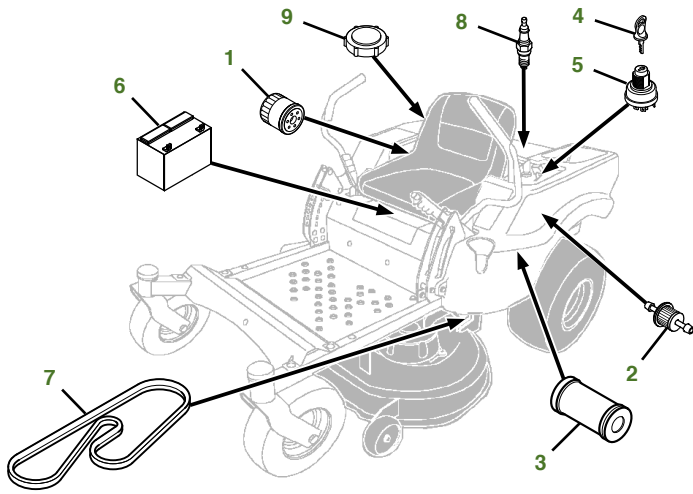


# MAINTENANCE REMINDER SHEET

## Z345R with 42" Accel Deep™ Deck



Tractor S/N

Deck S/N

Key	Part No.	Description	Key	Part No.	Description
1	<a href="#">AM125424</a>	ENGINE OIL FILTER	9	<a href="#">GX23465</a>	FUEL CAP
2	<a href="#">AM116304</a>	FUEL FILTER-IN-LINE	10	<a href="#">GX25628</a>	BELT-MOWER
3	<a href="#">MIU14395</a>	AIR FILTER	11	<a href="#">GX10168</a>	GAGE WHEEL
4	<a href="#">AM125504</a>	KEY	12	<a href="#">M170642</a>	KIT-MULCHING 42"
5	<a href="#">TCA22740</a>	IGNITION SWITCH		<a href="#">GX25668</a>	KIT-BAGGING 42"
6	<a href="#">TY25878</a>	BATTERY		<a href="#">M170639</a>	KIT-SIDE DISCHARGE 42"
7	<a href="#">GX26401</a>	BELT-TRACTION DRIVE	13	<a href="#">BM24794</a>	MULCHCONTROL™ KIT
8	<a href="#">MIU11020</a>	SPARK PLUG			

### Parts Needed in First 250 Hours of Operation

Qty	Part No	Item	Qty or Capacity	Change Interval In Hours
10	<a href="#">TY22029</a>	1 qt. Engine Oil Turf-Gard™ 10W30	2 qt	50/100/150/200/250
5	<a href="#">AM125424</a>	Engine Oil Filter	1	50/100/150/200/250
2	<a href="#">MIU14395</a>	Air Filter	1	100/200
2	<a href="#">AM116304</a>	Fuel Filter-In-Line	1	100/200
4	<a href="#">MIU11020</a>	Spark Plug	2	100/200
2	<a href="#">TY24416</a>	John Deere Multi-Purpose HD Lithium Complex Grease		As Needed

### "As Needed" Parts

Qty	Part No	Item
1	<a href="#">AM130907</a>	Mower Deck Leveling Gauge
1	<a href="#">TY26517</a>	Grease Gun

### Home Maintenance Kit

Unit	Kit Number
Z345R	<a href="#">LG276</a>

CLICK PART NUMBER TO BUY