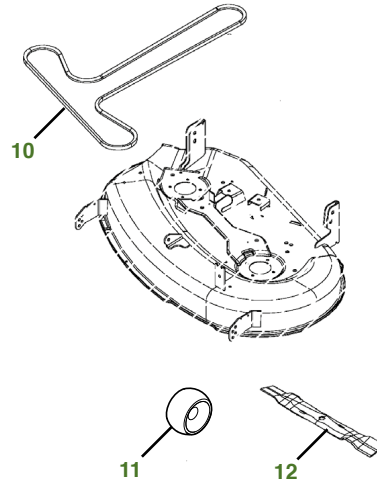
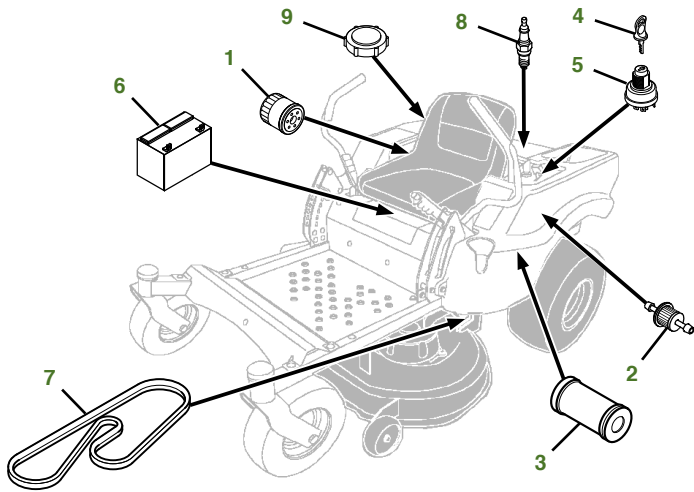


MAINTENANCE REMINDER SHEET

Z345M with 42" Accel Deep™ Deck



Tractor S/N

Deck S/N

| Key | Part No. | Description | Key | Part No. | Description |
|-----|--------------------------|---------------------|-----|-------------------------|------------------------|
| 1 | AM125424 | ENGINE OIL FILTER | 9 | GX23465 | FUEL CAP |
| 2 | AM116304 | FUEL FILTER-IN-LINE | 10 | GX25628 | BELT-MOWER |
| 3 | MIU14395 | AIR FILTER | 11 | GX10168 | GAGE WHEEL |
| 4 | AM125504 | KEY | 12 | M170642 | KIT-MULCHING 42" |
| 5 | TCA22740 | IGNITION SWITCH | | GX25668 | KIT-BAGGING 42" |
| 6 | TY25878 | BATTERY | | M170639 | KIT-SIDE DISCHARGE 42" |
| 7 | CX26401 | BELT-TRACTION DRIVE | 13 | BM24794 | MULCHCONTROL™ KIT |
| 8 | MIU11020 | SPARK PLUG | | | |

Parts Needed in First 250 Hours of Operation

| Qty | Part No | Item | Qty or Capacity | Change Interval In Hours |
|-----|--------------------------|---|-----------------|--------------------------|
| 10 | TY22029 | 1 qt. Engine Oil Turf-Gard™ 10W30 | 2 qt | 50/100/150/200/250 |
| 5 | AM125424 | Engine Oil Filter | 1 | 50/100/150/200/250 |
| 2 | MIU14395 | Air Filter | 1 | 100/200 |
| 2 | AM116304 | Fuel Filter-In-Line | 1 | 100/200 |
| 4 | MIU11020 | Spark Plug | 2 | 100/200 |
| 2 | TY24416 | John Deere Multi-Purpose HD Lithium Complex Grease | | As Needed |

"As Needed" Parts

| Qty | Part No | Item |
|-----|--------------------------|---------------------------|
| 1 | AM130907 | Mower Deck Leveling Gauge |
| 1 | TY26517 | Grease Gun |

Home Maintenance Kit

| Unit | Kit Number |
|-------|-----------------------|
| Z345M | LG276 |

CLICK PART NUMBER TO BUY